

ARINC 801 Type 1 Fiber Optic Connectors and Termini

MIL-DTL-38999 SERIES III TYPE

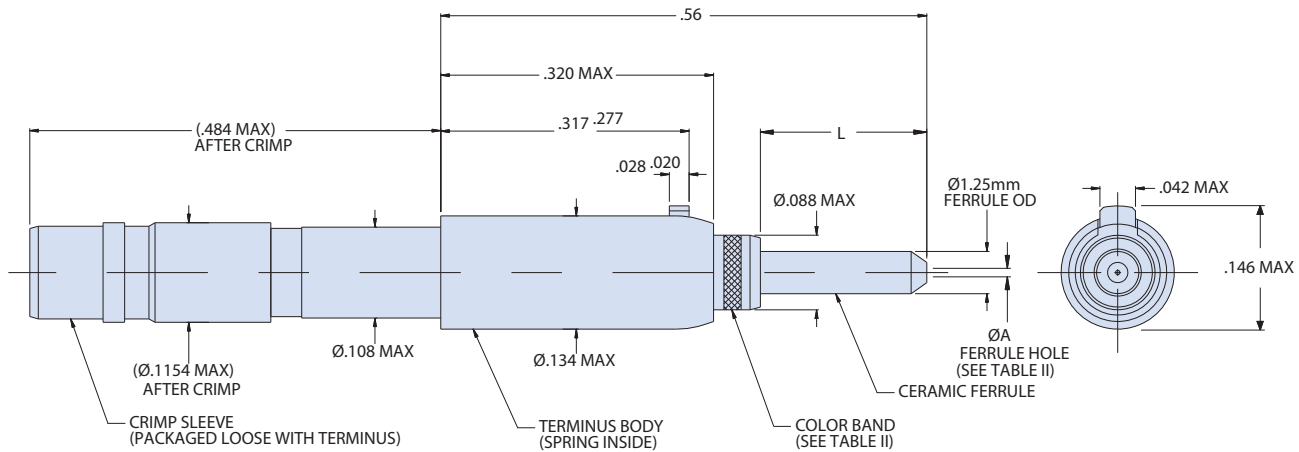
181-076 Genderless Termini



GENDERLESS FIBER OPTIC TERMINI FOR ARINC 801 CONNECTORS, KEYED, REAR RELEASE



How To Order			
Sample Part Number	181-076	-	P -126
Fiber optic termini	Genderless terminus for ARINC 801 connector		
Cable Jacket Diameter	See Table I		
Cable Structure	P = Pull-Proof (loose structure cable) N = Non-Pull-Proof (tight structure cable or 900 micron buffer)		
Assembly Dash Number	See Table II		



Dash No.	Cable Jacket Diameter
A	900 micron buffer only
-	2.0/1.7mm

Dash No.	Ø A (microns)	Typ Fiber Type	Typ Fiber Size (microns) Core/Cladding	Ferrule Polish Type	L Inches	Color Band
-1255	125.5	Singlemode	9/125	PC	.196/.192	Blue
-1255A	125.5	Singlemode	9/125	APC	.200/.196	Green
-1265	126.0	Singlemode	9/125	PC	.196/.192	Blue
-1265A	126.0	Singlemode	9/125	APC	.200/.196	Green
-126	126.0	Multimode	50/125, 62.5/125	PC	.196/.192	None

NOTES

Material and Finish

- Ferrule: Zirconia Ceramic
- Terminus Bodies: Brass Alloy/Nickel
- Crimp Sleeve: Brass Alloy/Nickel
- Spring: Stainless Steel/Passivate

Crimp sleeve is packaged loose with terminus assembly. Spares may be ordered separately, consult factory.

Termini for 900 micron buffer are not provided with crimp sleeves