



181-035 Large Core Optical Fiber Socket Terminus MIL-DTL-38999 Type

D38999
Series III

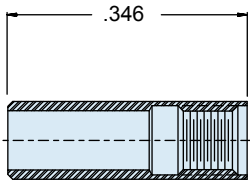
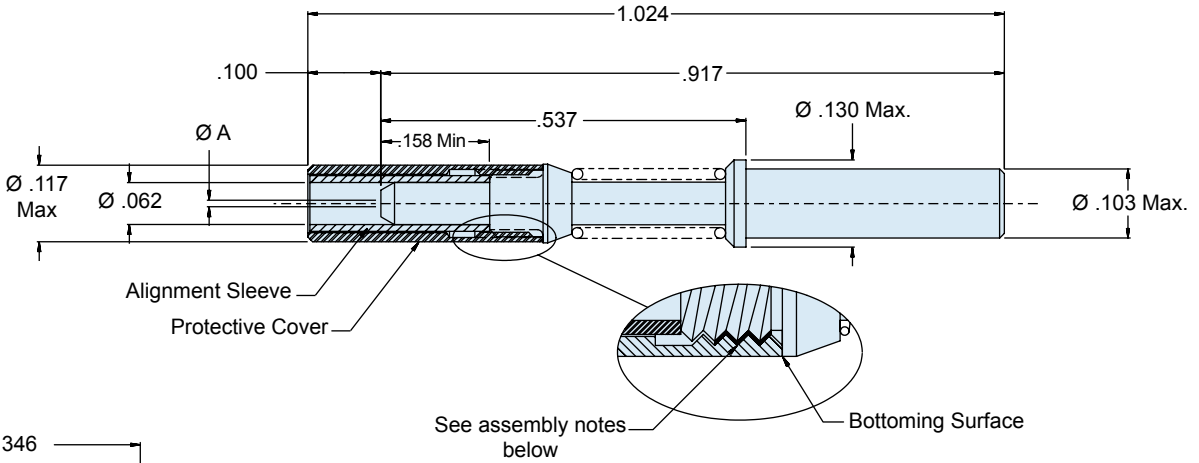
Large Core Fiber Optic MIL-DTL-38999 Type Size 16 Socket Terminus



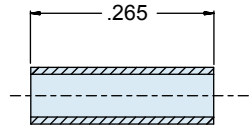
Part Number	Fiber Size Core/Cladding (Microns)	ØA (Microns)
181-035-600	600 Micron	610.0
181-035-1000	1000 Micron (Plastic)	1117.0

Ceramic alignment sleeve supplied with terminus. Add **K** to the end of part number development to supply with optional stainless steel alignment sleeve e.g. 181-035-1000K.

Accessories	
Part Number	Terminus Accessory
181-001-S	Ceramic Alignment Sleeve
181-001-K	Stainless Steel Alignment Sleeve
181-001-C	Protective Cover



Protective Cover



Alignment Sleeve

Material and Finish

Ferrule: Stainless Steel/Passivate
 Alignment Sleeve: Zirconia Ceramic or Stainless Steel/Passivate
 Terminus Assembly: Stainless Steel/Passivate
 Spacer, Spring, and Cover: Stainless Steel/Passivate

Tools and Accessories/Assembly Notes

Alignment sleeve and protective cover can also be ordered separately (see Table II)
 Threaded Protective cover must be retained using Threadlocker "Loctite 222" prior to insertion and fully seated against terminus body as shown. See Glennair assembly procedure GAP-015 for complete termination instruction.
 Recommended Insertion/Extraction Tool: P/N M81969/14-03 or equivalent