

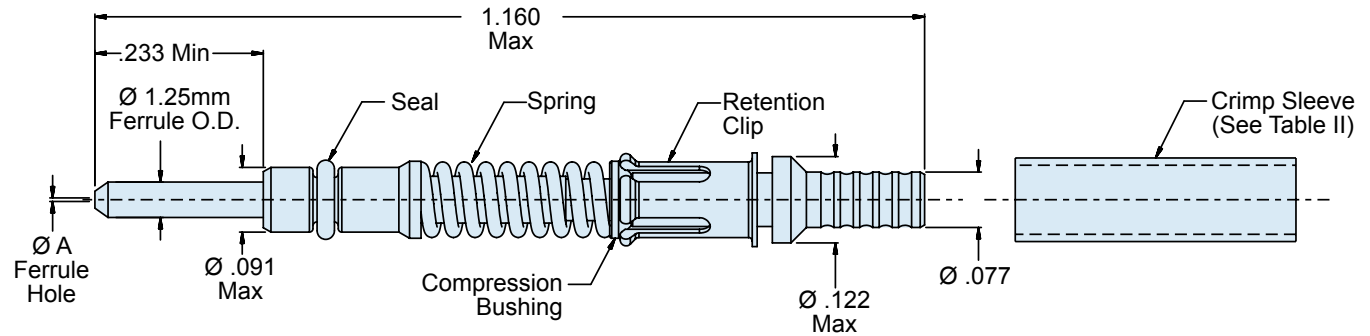
181-043
MIL-PRF-29504/18 Type
NGCON Fiber Optic Terminus



M29504/18 (NGCON) Genderless Rear Release Pin with Integrated Retention Clip



Part Number	ØA (Microns)	Fiber Type (Typical)		Mil-Spec Style M29504/18-XXX (Reference)
		Typical Fiber Type	Size Core/Cladding/Coating (Microns)	
181-043-1250C	125.0	SM	9/125	-101, -201, -204
181-043-1255C	125.5	SM	9/125	-102, -202, -205
181-043-1265C	126.0	SM	9/125	-103, -203, -206
181-043-126C	126.0	MM	50/125, 62.5/125	-126, -226
181-043-127C	127.0	MM	50/125, 62.5/125	-127, -227
181-043-142C	142.0	MM	100/140	-242
181-043-145C	145.0	MM	100/140	-245
181-043-156C	156.0	MM	62.5/125/155	-256
181-043-157C	157.0	MM	62.5/125/155	-257
181-043-173C	173.0	MM	100/140/172	-273
181-043-175C	175.0	MM	100/140/172	-275



Crimp Sleeve	
Part No.	Description
265-008	Crimp Sleeve, Ø2.4mm Max Jacket (MIL-SPEC Type)

Material and Finish

Ferrule: Zirconia Ceramic
 Terminus Assembly: Stainless Steel/Passivate
 Retention Clip: Spring Alloy
 Spring: Stainless Steel/Passivate
 Seal: Elastomeric Rubber
 Crimp Sleeve: Brass Alloy/Nickel

Accessories

See Glenair GAP-044 for termination assembly instructions and appropriate tools.
 Crimp sleeve is supplied with terminus assembly and may be ordered separately (see Table II).
 For terminus less crimp sleeve, omit C from part number (e.g. **181-043-126**)