

181-051
M29504/3-4038
MIL-PRF-28876 Type Size 16 Dummy Terminus

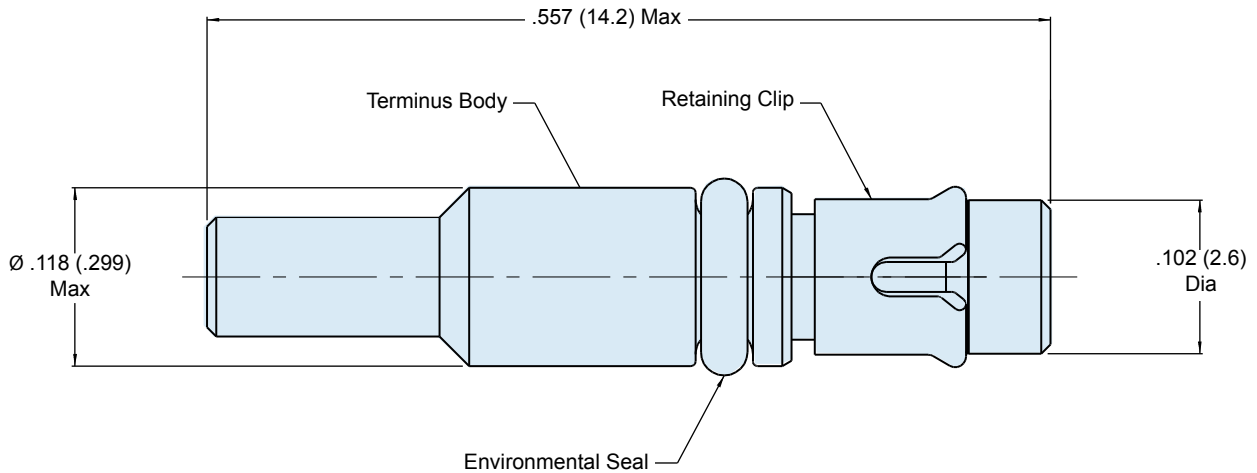


M28876

MIL-PRF-28876 Size 16 Dummy Terminus



Description	Part Number
Dummy Terminus, size 16	181-051



Material and Finish

Terminus Body: Stainless Steel/Passivate
Retaining Clip: Spring Alloy/Nickel
Seal: Fluorosilicone

Tools and Accessories/Assembly Notes

See Glenair GAP-036 for assembly tools and procedures.

