

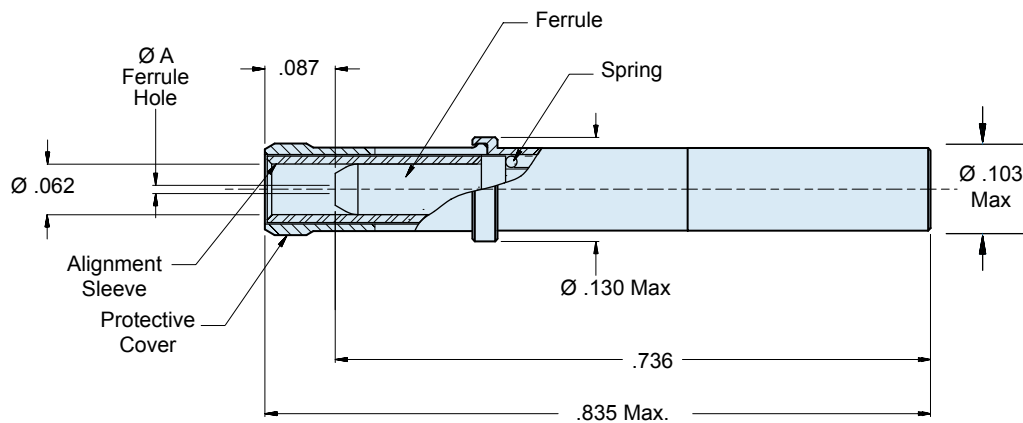
181-075
Size 16 Fiber Optic Socket Terminus
For Series 80 Mighty Mouse



Size 16 Fiber Optic Socket Terminus for Series 80 Mighty Mouse Connectors



Part Number	ØA (Microns)	Fiber Size: Core/Cladding (Microns)	Typ. Fiber Type
181-075-125	125.5	9/125	Single Mode
181-075-126	126.0	50/125, 62.5/125	Multi Mode



Accessories	
Part Number	Terminus Accessory
181-001-S	Ceramic Alignment Sleeve
181-075-C	Protective Cover

Material and Finish

Ferrule: Zirconia Ceramic
 Terminus Assembly: Stainless Steel / Passivate
 Spring: Stainless Steel / Passivate
 Protective Cover: Spring Alloy / Nickel

Assembly Notes

See Glenair GAP-039 for termination procedure and assembly tools.
 Recommended insertion/extraction tool: P/N M81969/14-03
 Ceramic alignment sleeve and protective cover are supplied with terminus assembly and may be ordered separately (See Table II).