

187-079

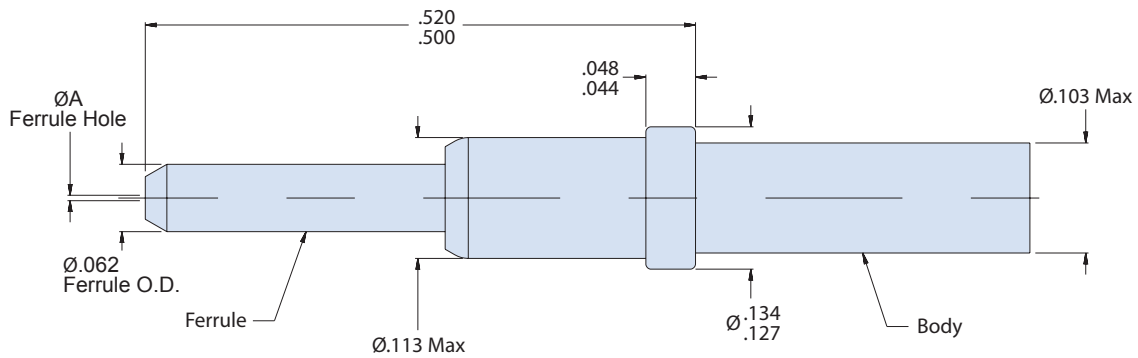
Size 16 M29504/6 Type Pin Terminus
For ARINC 600 and 404 Connectors



Size 16 Fiber Optic M29504/6 Type Pin Terminus



Part Number	Fiber Size Core/Cladding/Coating (Microns)	ØA (Microns)
187-079-125	9/125 (Single Mode)	125.5
187-079-126	50/125 & 62.5/125	126.0
187-079-142	100/140	142.0
187-079-156	62.5/125/155 (Polyimide)	156.0
187-079-175	100/140/172 (Polyimide)	175.0
187-079-231	200/230	231.0
187-079-236	200/233	236.0
187-079-286	200/280	286.0
187-079-448	400/440	448.0



Material and Finish

Ferrule: Zirconia Ceramic
Body: Stainless Steel/Passivate

Specifications

Terminus is also designed for use with Glenair 187-100 Combo D-Sub Receptacle connector.