

809-002

#23 Electrical Socket Contact

For Series 79 Micro-Crimp and Series 80 Mighty Mouse

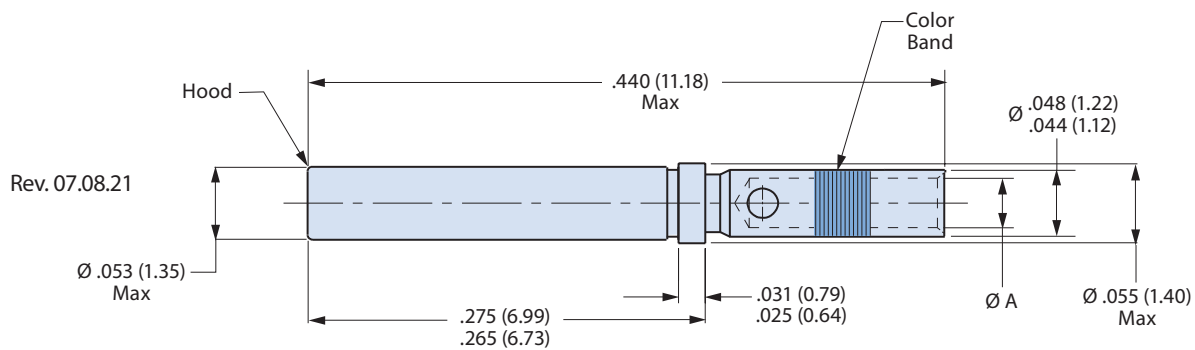
Special Purpose

Size #23 Crimp Socket Contact for Micro-Crimp and Mighty Mouse Connectors



Contact Type	Wire Size	Material	Part Number	Ø A		Color Band
				In.	mm.	
Socket	#22 – #28	BeCu	809-002	.0335-.0355	0.851-0.902	None
Socket	#26 – #30	BeCu	809-043	.0229-.0245	0.582-0.622	Blue
Socket	#22 – #28	Alumel	809-066A	.0335-.0355	0.851-0.902	None
Socket	#22 – #28	Chromel	809-066C	.0335-.0355	0.851-0.902	None

Standard size #23 contacts accept #22 to #28 AWG wire. Choose "small bore" versions for #26 to #30 AWG wire. For thermocouple applications, specify alumel or chromel contacts. Contacts are bulk packaged. Terminate with standard M22520 crimper with special positioner.



CRIMP TENSILE STRENGTH

Values are in pounds and are minimums.

Wire Gage	Silver or Tin Coated Copper Wire	Nickel Coated Copper Wire
#22	12	8
#24	8	6
#26	5	3
#28	3	2
#30	1.5	1.5

Material and Finish

Beryllium copper alloy per ASTM B196 or B197. 50 microinches minimum gold plating per ASTM B 488 over nickel underplate. Crimp area may have less plating. Socket contact hood: stainless steel, passivated per AMS-QQ-P-35.

Specifications

Current Rating: 5 Amps maximum
 Voltage Drop (at 5 Amps and 25° C): 70 millivolts maximum
 Temperature Range: -65° to + 200° C
 Socket Contact Minimum Separation Force: 0.5 ounces

Crimp Tools and Insertion/Extraction Tools

Crimper: 809-015 or AFM8
 Positioner: 809-005 (standard). Use P/N 809-057 for small bore contacts 809-042 and 809-043
 Standard Insertion/Extraction Tool: 809-088