

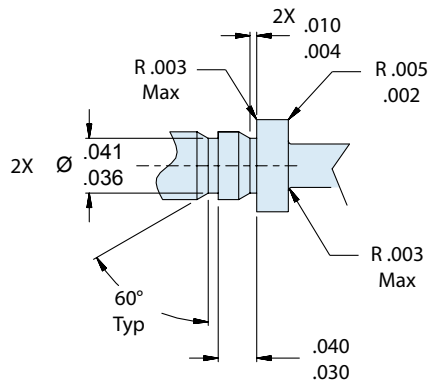
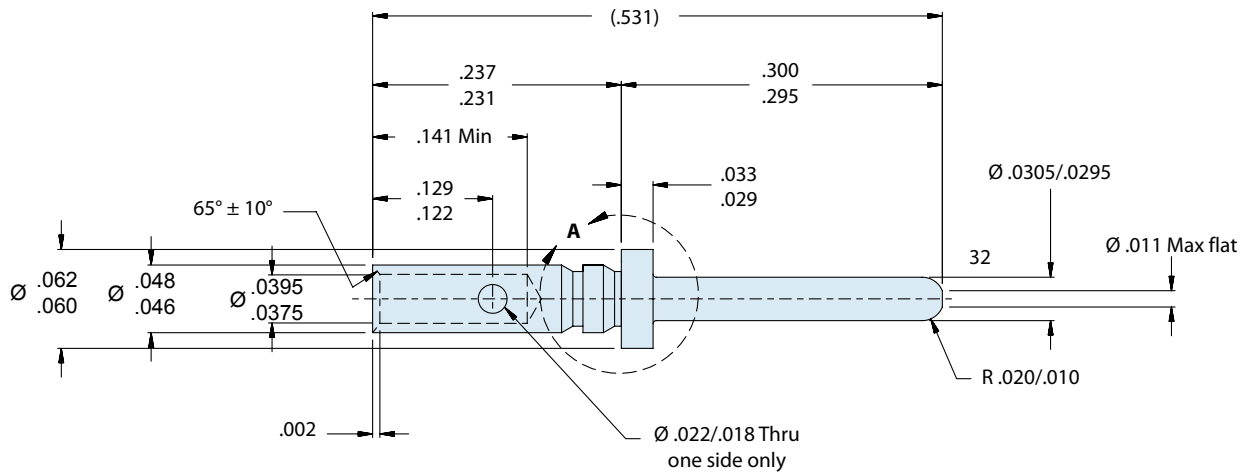
**850-019-22**  
**M39029/58-360 Type**  
**Size 22 Pin Contact with Expanded Wire Accommodation**



Special Purpose



Mating End Size	Glenair Part Number
22	850-019-22



**Material and Finish**

Contact Body: Copper alloy, plated with 50 microinches gold per ASTM B488 Type II code C over 50-100 microinches nickel IAW SAE AMS-QQ-N-290, class II

**Notes**

May be used with up to 20AWG wire

D