



850-111
AS39029/63 Type
Thermocouple Socket Contact, Size #20

MIL-DTL
24308

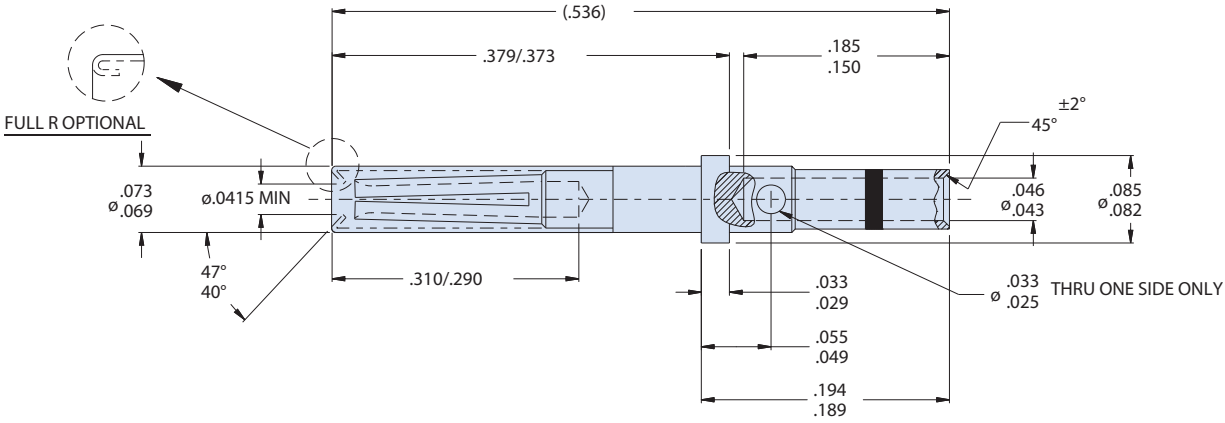
Series 28
HiPer-D

Thermocouple Socket Contact to Fit MIL-DTL-24308 and Series 28 HiPer-D connectors

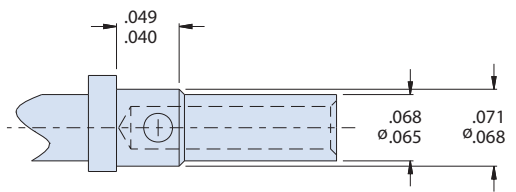
Part Number	Material	Finish	Color Band
850-111-20-01	KN	None	Red
850-111-20-02	KP	None	None

Per AS39029 spec, the composition designations have been changed as listed below:
KN = Type K negative (formerly alumel) **KP** = Type K positive (formerly chromel)

D



- Notes
1. Material/Finish per Part Number, hood = passivated stainless steel.
 2. These contacts meet the applicable requirements of AS39029/63, except Type C material for thermocouple.
 3. Crimp tooling per AS39029/63



(COLOR BANDS OMITTED FOR CLARITY)