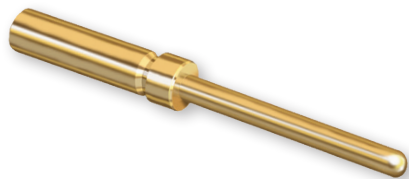
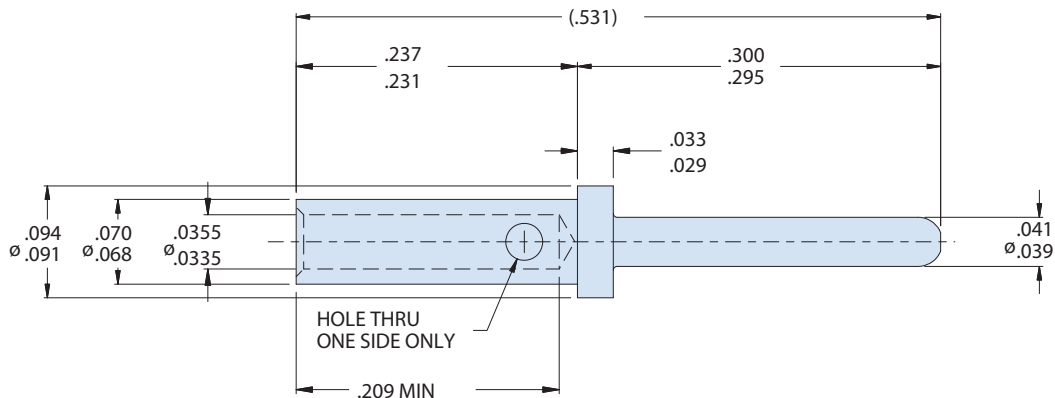




**850-334-20-22**  
**M39029/58-363 Type**  
**Size 20 Socket Contact with Size 22 Crimp Barrel**



Mating End Size	Glenair Part Number	Wire Size
20	850-334-20	-22



D

**Material and Finish**

Contact Body: Copper alloy / gold plated IAW ASTM B 488, Type II, code C, .000050  
 Min thick, over nickel IAW SAE AMS-QQ-N-290, Class 2, .000030 to .000150 thick.

**Crimp Tooling Data**

Basic Crimptool: M22520/2-01  
 Positioner: M22520/2-10

**Notes**

Contacts shall meet or exceed the applicable requirements specified in AS39029/58-363 except for 22AWG-28AWG crimp barrel.