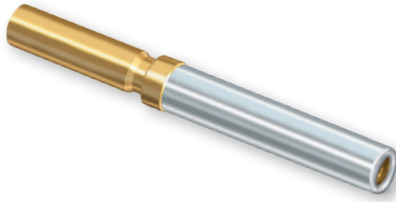


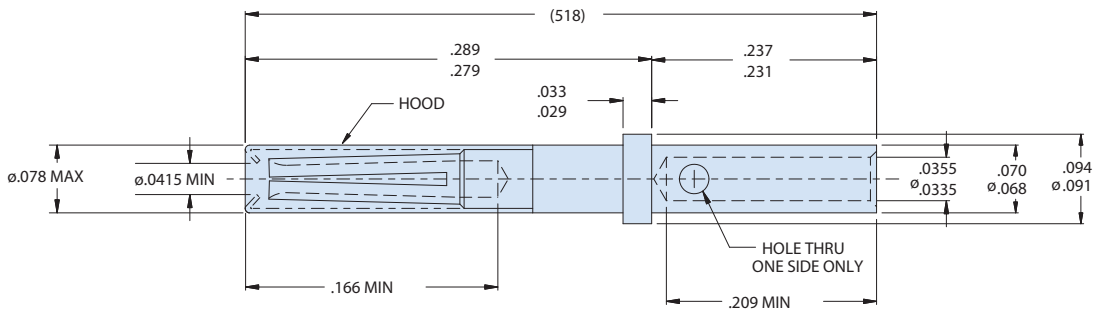
850-335-20-22  
M39029/57-357 Type  
Size 20 Socket Contact with Size 22 Crimp Barrel



Special Purpose



Mating End Size	Glenair Part Number	Wire Size
20	850-335-20	-22



D

**Material and Finish**

Contact body: Copper alloy / gold plated IAW ASTM B 488, Type II, code C, .000050  
Min thick, over nickel IAW SAE AMS-QQ-N-290, class 2, .00003 to .00015 thick.  
Hood: 305 cres, passivated

**Crimp Tooling Data**

Basic Crimptool: M22520/2-01  
Positioner: M2252/2-10

**Notes**

These contacts shall meet or exceed the applicable requirements specified in AS39029/57-357 except for 22AWG-28AWG crimp barrel.