

SERIES 77 Autoshrink™ S Cold-Action Shrink Boots and Tubing 777-017 Straight Wall Tubing

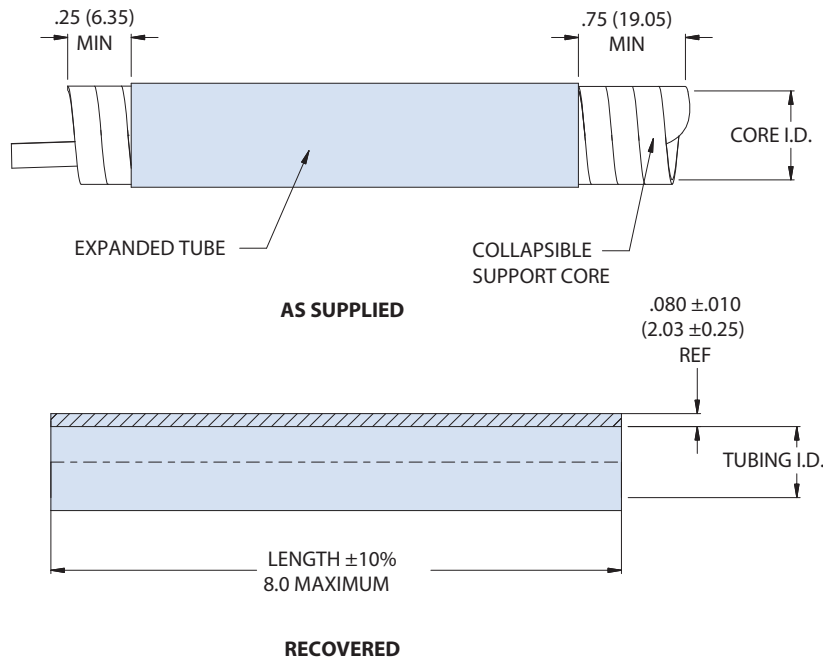


Autoshrink™ S is a high-performance polymer material (Glenair Subsea formula GPS153) cold-action shrink boot and jacket solution with strong bonding and sealing performance when used with oil and gas industry underwater cables. Straight wall tubing is flexible, abrasion and cut resistant, UV resistant and RoHS compliant. Tubing is water-tight when used in conjunction with 779-007 adhesive. Choose tube based on cable diameter.

How to Order				
Sample Part Number	777	-017	-0500	-6
Product Series	777 = Autoshrink™			
Basic Part Number	-017 = Straight wall tubing, Autoshrink™ S			
Size Code	See dimensions table			
Length	Dimension in one inch increments; 8 inches maximum			

NOTES

1. Subsea adhesive 779-007 sold separately
2. Length in expanded form may be less than length after unrestricted shrinkage
3. Material:
 - Tubing: Polyurethane, black



Dimensions				
Size Code	Tube I.D after unrestricted shrinkage (Ref)	As Supplied Core I.D. (Ref)	Reference Wire Bundle Range	
			Min	Max
0250	.250 (6.35)	0.80 (20.3)	.30 (7.6)	.65 (16.5)
0500	.500 (12.70)	1.50 (38.1)	.60 (15.2)	1.35 (34.3)