

Autoshrink™ S Cold-Action Shrink Boots and Tubing



777-019 and 777-020 Lipped, Standard or Short, Straight Boot

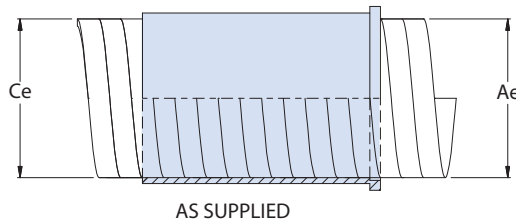


Autoshrink™ S is a high-performance polymer material (Glenair Subsea formula GPS153) cold-action shrink boot and jacket solution with strong bonding and sealing performance when used with oil and gas industry underwater cables. Standard or short boots are flexible, abrasion and cut resistant, UV resistant and RoHS compliant. Boots are water-tight and pressure resistant when used in conjunction with 779-007 adhesive. Choose boot based on shell size. Lipped boots lock into boot groove located on adapter.

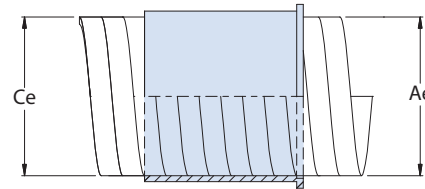
How to Order				
Sample Part Number	777	-019	S	03
Product Series	777 = Autoshrink™			
Basic Number	019 = Standard lipped boot, no eyelet, Autoshrink™ S 020 = Short lipped boot, no eyelet, Autoshrink™ S			
Angular Function	S = Straight			
Size Code	See dimensions table			

NOTES

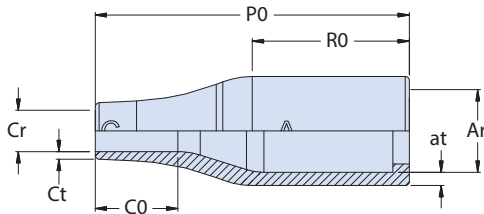
1. Subsea adhesive 779-007 sold separately
2. Number engraved on boot
3. Material:
 - Boot: Polyurethane, black



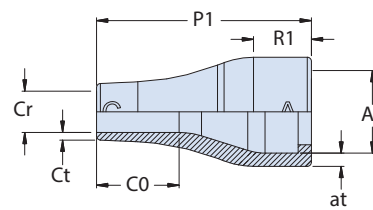
AS SUPPLIED



AS SUPPLIED



RECOVERED (-019)



RECOVERED (-020)

Dimensions														
Boot Size	Glenair US Part Marking ²	AS85049/140 Ref	Shell Size	Ae Dia Min	Ce Dia Min	Ar Dia Max	at ±30%	Cr Dia Max	ct ±20%	C0 Ref	P0	P1 ±10%	R0 Ref	R1 Ref
03	S03	01	8,10	.75(19.1)	.75(19.1)	.413(10.5)	.063(1.6)	.197(5.0)	.035(0.9)	.394(10.0)	1.496(38.0)	1.024(26.0)	.748(19.0)	.276(7.0)
04	S04	02	11-16	.75(19.1)	.75(19.1)	.551(14.0)	.071(1.8)	.236(6.0)	.039(1.0)	.630(16.0)	2.165(55.0)	1.693(43.0)	1.181(30.0)	.709(18.0)
05	S05	03	16-17	1.25(31.8)	1.25(31.8)	.709(18.0)	.071(1.8)	.276(7.0)	.047(1.2)	.748(19.0)	2.638(67.0)	1.850(47.0)	1.299(33.0)	.512(13.0)
06	S06	04	17-21	1.25(31.8)	1.25(31.8)	.866(22.0)	.079(2.0)	.335(8.5)	.047(1.2)	.787(20.0)	3.150(80.0)	2.362(60.0)	1.575(40.0)	.787(20.0)
07	S07	05	21-23	1.45(36.8)	1.45(36.8)	1.102(28.0)	.087(2.2)	.394(10.0)	.051(1.3)	1.142(29.0)	3.898(99.0)	3.150(80.0)	2.165(55.0)	1.417(36.0)
08	S08	06	25	2.25(57.2)	2.25(57.2)	1.378(35.0)	.130(3.3)	.591(15.0)	.063(1.6)	1.575(40.0)	5.118(130.0)	4.331(110.0)	1.969(50.0)	1.181(30.0)
09	S09	07		2.75(69.9)	2.75(69.9)	1.752(44.5)	.150(3.8)	.661(16.8)	.079(2.0)	2.283(58.0)	6.693(170.0)	5.910(150.0)	3.543(90.0)	2.760(70.0)
10	S10	08		4.00(101.6)	4.00(101.6)	2.250(57.2)	.160(4.1)	1.06(26.9)	.130(3.3)	2.068(52.5)	7.700(195.6)	N/A	4.005(102.0)	N/A

SERIES 77

Autoshrink™ S Cold-Action Shrink Boots and Tubing



777-019 Lipped, Right Angle Boot

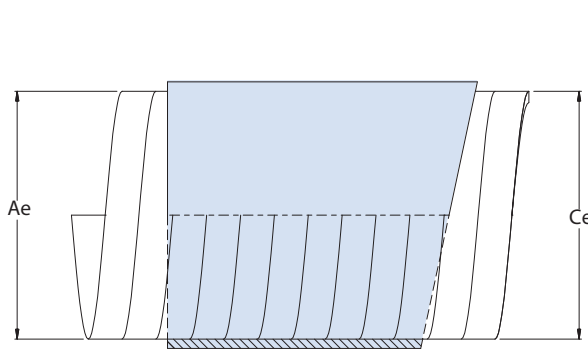


Autoshrink™ S is a high-performance polymer material (Glenair Subsea formula GPS153) cold-action shrink boot and jacket solution with strong bonding and sealing performance when used with oil and gas industry underwater cables. Right angle boot is flexible, abrasion and cut resistant, UV resistant and RoHS compliant. Boots are water-tight when used in conjunction with 779-007 adhesive. Choose boot based on shell size. Lipped boots lock into boot groove located on adapter.

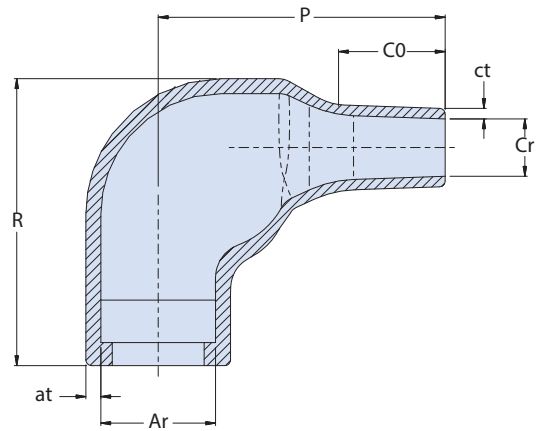
How to Order				
Sample Part Number	777	-019	A	03
Product Series	777 = Autoshrink™			
Basic Number	019 = Standard lipped boot, no eyelet, Autoshrink™ S			
Angular Function	A = 90°			
Size Code	See dimensions table			

NOTES

1. Subsea adhesive 779-007 sold separately
2. Number engraved on boot
3. Material:
 - Boot: Polyurethane, black



AS SUPPLIED



SIZE 03 TO 09 RECOVERED

Dimensions												
Boot Size	Glenair US Part Marking ²	AS85049/140 Ref	Shell Size	Ae Dia Min	Ce Dia Min	Ar Dia Max	at ±30%	Cr Dia Max	ct ±20%	C0 Ref	P ±20%	R Ref
03	A03	01	9	.75(19.1)	.75(19.1)	.394(10.0)	.063(1.6)	.197(5.0)	.035(0.9)	.394(10.0)	.984(25.0)	.984(25.0)
04	A04	02	11-15	.75(19.1)	.75(19.1)	.532(13.5)	.071(1.8)	.217(5.5)	.039(1.0)	.472(12.0)	1.260(32.0)	1.063(27.0)
05	A05	03	13-17	1.25(31.8)	1.25(31.8)	.709(18.0)	.071(1.8)	.276(7.0)	.047(1.2)	.591(15.0)	1.535(39.0)	1.260(32.0)
06	A06	04	17-21	1.25(31.8)	1.25(31.8)	.886(22.5)	.079(2.0)	.335(8.5)	.047(1.2)	.630(16.0)	1.929(49.0)	1.496(38.0)
07	A07	05	21-23	1.45(36.8)	1.45(36.8)	1.102(28.0)	.087(2.2)	.394(10.0)	.059(1.5)	.709(18.0)	2.165(55.0)	1.850(47.0)
08	A08	06	23-25	2.25(57.2)	2.25(57.2)	1.378(35.0)	.130(3.3)	.591(15.0)	.079(2.0)	1.260(32.0)	3.150(80.0)	2.165(55.0)
09	A09	07	25-33	2.75(69.9)	2.75(69.9)	1.752(44.5)	.150(3.8)	.661(16.8)	.079(2.0)	1.890(48.0)	4.250(108.0)	2.680(68.0)

Autoshrink™ S Cold-Action Shrink Boots and Tubing



777-019 Lipped, 45° Angle Boot

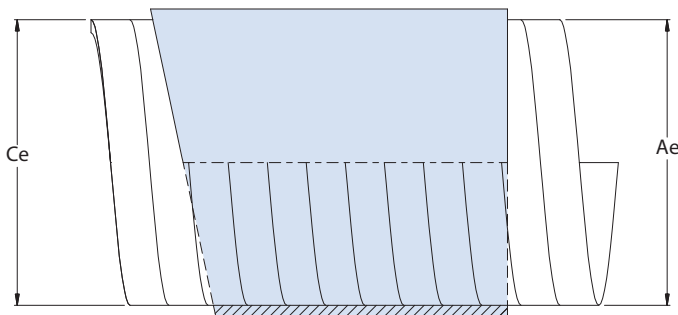


Autoshrink™ S is a high-performance polymer material (Glenair Subsea formula GPS153) cold-action shrink boot and jacket solution with strong bonding and sealing performance when used with oil and gas industry underwater cables. 45° boot is flexible, abrasion and cut resistant, UV resistant and RoHS compliant. Boots are water-tight when used in conjunction with 779-007 adhesive. Choose boot based on shell size. Lipped boots lock into boot groove located on adapter.

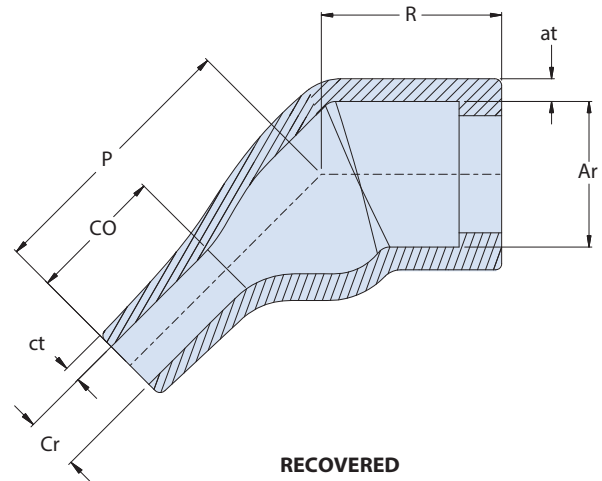
How to Order				
Sample Part Number	777	-019	B	03
Product Series	777 = Autoshrink™			
Basic Number	019 = Standard lipped boot, no eyelet, Autoshrink™ S			
Angular Function	B = 45°			
Size Code	See dimensions table			

NOTES

1. Subsea adhesive 779-007 sold separately
2. Number engraved on boot
3. Material:
 - Boot: Polyurethane, black



AS SUPPLIED



RECOVERED

Dimensions											
Boot Size	Glenair US Part Marking ²	Shell Size	Ae Dia Min	Ce Dia Min	Ar Dia Max	at ±30%	Cr Dia Max	ct ±20%	CO Ref	P ±20%	R Ref
04	B04	11-15	.75(19.1)	.75(19.1)	.551(14.0)	.071(1.8)	.236(6.0)	.039(1.0)	.354(9.0)	1.80(30.0)	.748(19.0)
05	B05	13-17	1.25(31.8)	1.25(31.8)	.709(18.0)	.079(2.0)	.276(7.0)	.071(1.8)	.591(15.0)	1.378(35.0)	.984(25.0)
06	B06	17-21	1.25(31.8)	1.25(31.8)	.866(22.0)	.079(2.0)	.335(8.5)	.071(1.8)	.709(18.0)	1.575(40.0)	1.260(32.0)
07	B07	21-23	1.45(36.8)	1.45(36.8)	1.102(28.0)	.087(2.2)	.394(10.0)	.079(2.0)	.709(18.0)	1.772(45.0)	1.496(38.0)