

SERIES 77

Autoshrink™ F Cold-Action Shrink Boots and Tubing



777-022 Straight Wall Tubing

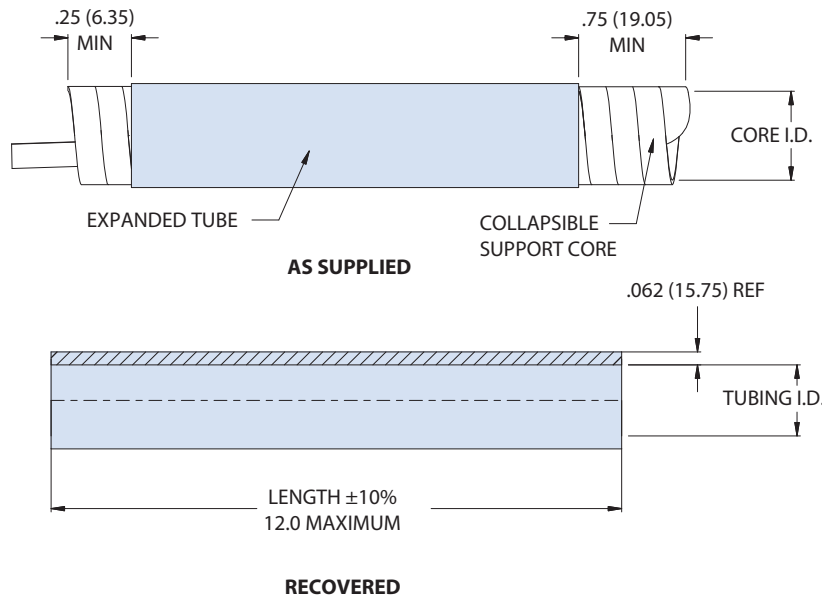


Straight wall tubing provides a quick, reliable method of repairing the outer jacket of Duralectric™ cables while providing mechanical and environmental protection from damage and debris. Advanced fluid and solvent resistant Autoshrink™ F boots are suitable for immersion in jet fuel, diesel, lubricants, and solvents. Shrink boots are RoHS compliant and flame resistant. Service temperature range is -65°C to 200°C. Shrink boots are water-tight when installed with 779-006 adhesive. Choose boot based on cable diameter.

How to Order				
Sample Part Number	777	-022	-0625	-6
Product Series	777 = Autoshrink™			
Basic Part Number	-022 = Straight wall tubing, Autoshrink™ F			
Size Code	See dimensions table			
Length	Dimension in one inch increments; 12 inches maximum			

NOTES

1. Duralectric™ F adhesive 779-006 sold separately
2. Length in expanded form may be less than length after unrestricted shrinkage
3. Material:
 - Tubing: Duralectric™ F, blue
 - Extruded wall thickness: .062



Dimensions				
Size Code	Tube I.D after unrestricted shrinkage (Ref)	As Supplied Core I.D. (Ref)	Reference Wire Bundle Range	
			Min	Max
0250	.250 (6.35)	.80 (20.3)	.35 (8.9)	.65 (16.5)
0375	.375 (9.52)	1.18 (30.0)	.55 (14.0)	1.00 (25.4)
0625	.625 (15.88)	2.00 (50.8)	.85 (21.6)	1.65 (41.9)
0750	.750 (19.05)	2.25 (57.2)	1.00 (25.4)	2.00 (50.8)
0937	.937 (23.80)	2.75 (69.9)	1.25 (31.8)	2.50 (63.5)
1437	1.437 (36.5)	4.00 (101.6)	2.00 (50.8)	3.85 (97.8)