

# SERIES 77 Autoshrink™ T Cold-Action Shrink Boots and Tubing



## 777-030 Straight Wall Tubing

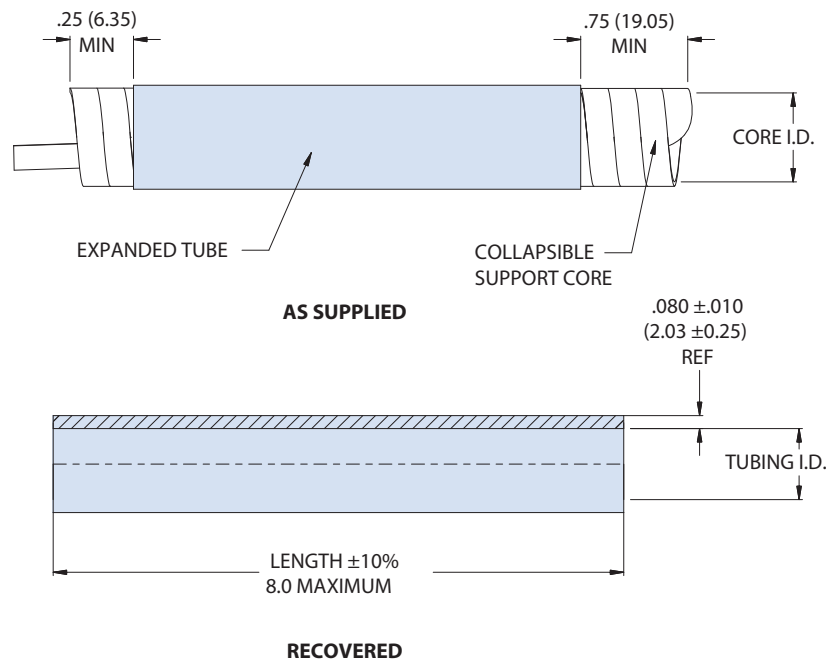


Straight wall tubing provides a quick, reliable method of repairing the outer jacket of Duralectric™ cables while providing mechanical and environmental protection from damage and debris. High temperature tubing operates continuously from -65°C to 300°C. Material is water-tight when used in conjunction with 779-008 adhesive. Choose tubing based on cable diameter.

How to Order				
<b>Sample Part Number</b>	<b>777</b>	<b>-030</b>	<b>-0500</b>	<b>-6</b>
<b>Product Series</b>	777 = Autoshrink™			
<b>Basic Part Number</b>	-030 = Straight wall tubing, Autoshrink™ T			
<b>Size Code</b>	See dimensions table			
<b>Length</b>	Dimension in one inch increments; 8 inches maximum			

### NOTES

1. High-temperature silicone adhesive 779-008 sold separately
2. Length in expanded form may be less than length after unrestricted shrinkage
3. Material:
  - Tubing: silicone, red



Dimensions				
Size Code	Tube I.D after unrestricted shrinkage (Ref)	As Supplied Core I.D. (Ref)	Reference Wire Bundle Range	
			Min	Max
<b>0250</b>	.250 (6.4)	.50 (12.9)	.30 (7.1)	.45 (11.4)
<b>0500</b>	.500 (12.7)	1.18 (30.0)	.60 (14.7)	1.05 (26.7)