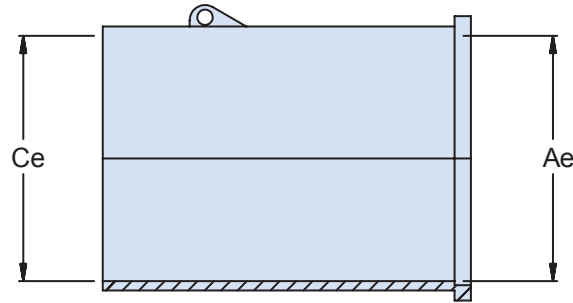


## As Supplied



## After Unrestricted Recovery

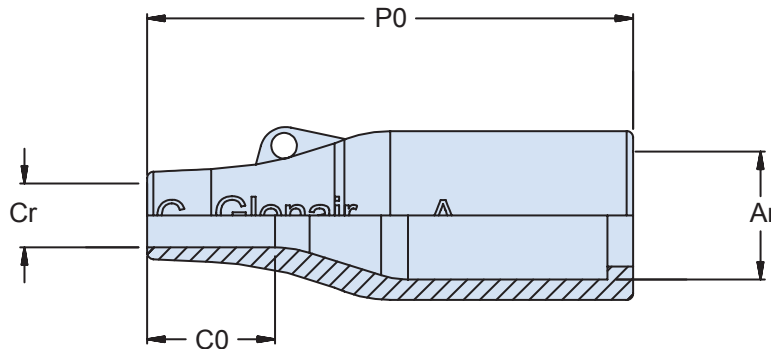


TABLE OF DIMENSIONS

Boot Size	Ae Min	Ar Max	Ce Min	Cr Max	C0 ±20%	P0 ±10%	Glenair Boot Supplied (Ref.)
03	.95 (24.1)	.41 (10.4)	.95 (24.0)	.20 (5.0)	.39 (10.0)	1.50 (38.0)	770-001S103
04	1.18 (30.0)	.55 (14.0)	1.18 (30.0)	.24 (6.0)	.63 (16.0)	2.17 (55.0)	770-001S104
05	1.26 (32.0)	.71 (18.0)	1.26 (32.0)	.28 (7.0)	.75 (19.0)	2.64 (67.0)	770-001S105
06	1.42 (36.1)	.87 (22.0)	1.42 (36.0)	.33 (8.5)	.79 (20.0)	3.15 (80.0)	770-001S106
07	1.69 (42.9)	1.10 (28.0)	1.69 (43.0)	.39 (10.0)	1.14 (29.0)	3.90 (99.0)	770-001S107
08	2.36 (59.9)	1.38 (35.0)	2.36 (60.0)	.59 (15.0)	1.58 (40.0)	5.12 (130.0)	770-001S108
09	2.60 (66.0)	1.75 (44.5)	2.60 (66.0)	.66 (16.8)	2.30 (58.0)	6.69 (170.0)	770-001S109

1. Material: Oil resistant, flame retardant elastomer—Glenair GTS 4025
2. Metric dimensions (mm) are indicated in parentheses.