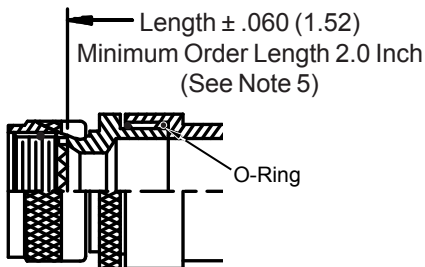
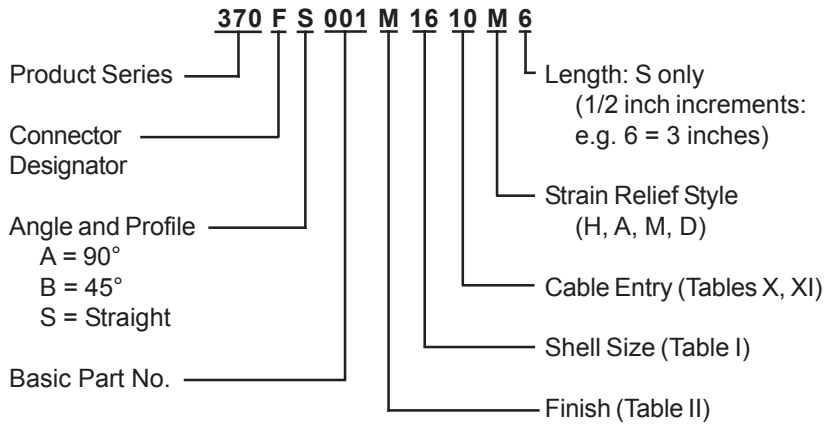
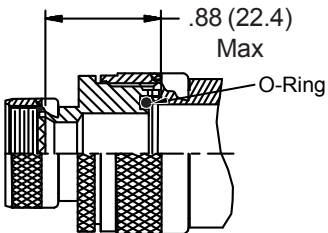


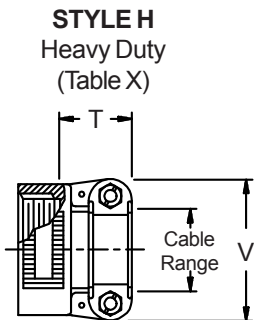
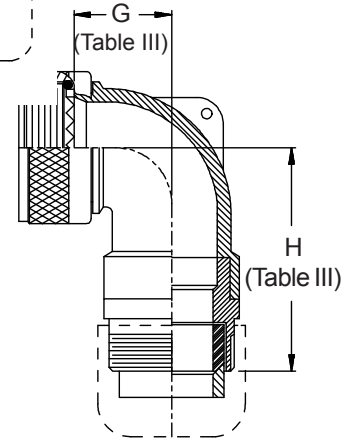
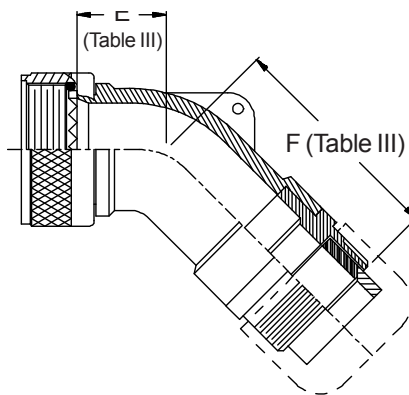
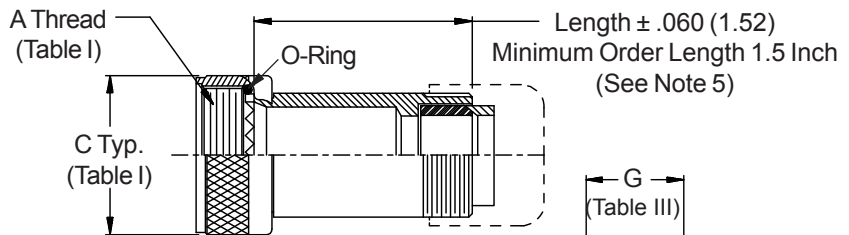
**CONNECTOR  
 DESIGNATORS  
 A-F-H-L-S  
 ROTATABLE  
 COUPLING**



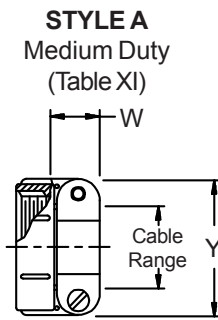
**STYLE 2  
 (STRAIGHT  
 See Note 1)**



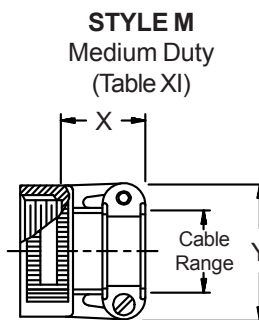
**STYLE 2  
 (45° & 90°  
 See Note 1)**



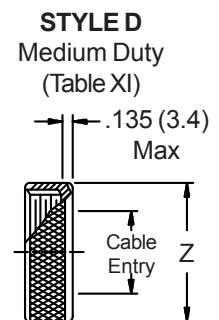
**STYLE H  
 Heavy Duty  
 (Table X)**



**STYLE A  
 Medium Duty  
 (Table XI)**



**STYLE M  
 Medium Duty  
 (Table XI)**



**STYLE D  
 Medium Duty  
 (Table XI)**

**370-001**  
**Submersible Cable Sealing Backshell**  
with Strain Relief  
**Low Profile - Rotatable Coupling**



**TABLE III: ELBOW DIMENSIONS**

| Shell Size   |    | E     |        | F     |        | G     |        | H     |        |
|--------------|----|-------|--------|-------|--------|-------|--------|-------|--------|
| Conn. Desig. | H  | Max   |        | Max   |        | Max   |        | Max   |        |
| A-F-L-S      |    |       |        |       |        |       |        |       |        |
| 08           | 09 | .457  | (11.6) | 1.810 | (46.0) | .500  | (12.7) | 1.820 | (46.2) |
| 10           | 11 | .520  | (13.2) | 1.869 | (47.5) | .595  | (15.1) | 1.940 | (49.3) |
| 12           | 13 | .582  | (14.8) | 1.929 | (49.0) | .610  | (15.5) | 1.960 | (49.8) |
| 14           | 15 | .645  | (16.4) | 2.359 | (59.9) | .700  | (17.8) | 2.369 | (60.2) |
| 16           | 17 | .738  | (18.7) | 2.469 | (62.7) | .885  | (22.5) | 2.459 | (62.5) |
| 18           | 19 | .926  | (23.5) | 2.659 | (67.5) | .975  | (24.8) | 2.629 | (66.8) |
| 20           | 21 | .926  | (23.5) | 2.659 | (67.5) | .975  | (24.8) | 2.629 | (66.8) |
| 22           | 23 | 1.020 | (25.9) | 2.872 | (72.9) | 1.125 | (28.6) | 2.802 | (71.2) |
| 24           | 25 | 1.020 | (25.9) | 2.872 | (72.9) | 1.125 | (28.6) | 2.802 | (71.2) |
| 28           |    | 1.145 | (29.1) | 2.905 | (73.8) | 1.225 | (31.1) | 2.955 | (75.1) |
| 32           |    | 1.207 | (30.7) | 3.005 | (76.3) | 1.575 | (40.0) | 3.205 | (81.4) |
| 36           |    | 1.238 | (31.4) | 3.315 | (84.2) | 1.775 | (45.1) | 3.255 | (82.7) |

1. When maximum cable entry (page 21) is exceeded, Style 2 will be supplied. Dimensions E, F, G and H will not apply. Please consult factory.
2. Metric dimensions (mm) are indicated in parentheses.
3. Cable range is defined as the accommodations range for the wire bundle or cable. Dimensions shown are not intended for inspection criteria.
4. Interface O-Ring not supplied with connector designator A.
5. Consult factory for shorter lengths on straight backshells.

**TABLE X: CABLE ENTRY**

| Dash No. | T Max        | V Max        | Cable Range  |              |
|----------|--------------|--------------|--------------|--------------|
|          |              |              | Min          | Max          |
| 04       | .780 (19.8)  | .957 (24.3)  | .125 (3.2)   | .312 (7.9)   |
| 06       | .780 (19.8)  | 1.145 (29.1) | .250 (6.4)   | .437 (11.1)  |
| 08       | .780 (19.8)  | 1.332 (33.8) | .387 (9.8)   | .562 (14.3)  |
| 10       | .780 (19.8)  | 1.332 (33.8) | .350 (8.9)   | .625 (15.9)  |
| 12       | .811 (20.6)  | 1.551 (39.4) | .500 (12.7)  | .750 (19.1)  |
| 16       | .905 (23.0)  | 1.770 (45.0) | .625 (15.9)  | .937 (23.8)  |
| 20       | 1.092 (27.7) | 2.113 (53.7) | .875 (22.2)  | 1.250 (31.8) |
| 24       | 1.124 (28.5) | 2.363 (60.0) | 1.000 (25.4) | 1.375 (34.9) |
| 28       | 1.399 (35.5) | 2.770 (70.4) | 1.250 (31.8) | 1.625 (41.3) |
| 32       | 1.399 (35.5) | 3.020 (76.7) | 1.437 (36.5) | 1.875 (47.6) |

See inside back cover fold-out  
or pages 13 and 14 for  
unabridged Tables I and II.

**TABLE II: STANDARD FINISHES**

| GLENAIR SYMBOL                                      | FINISH  |
|---|---|
| B   | Cadmium Plate, Olive Drab                         |
| C   | Anodize, Black                                    |
| G   | Hard Coat, Anodic                                 |
| M   | Electroless Nickel                                |
| NF  | Cadmium Plate, Olive Drab Over Electroless Nickel |
| See Inside Back Cover for Additional Finish Options |   |

**TABLE XI: CABLE ENTRY**

| Dash No. | W Max        | X Max        | Y Max        | Z Max        | Cable Range  |              |
|----------|--------------|--------------|--------------|--------------|--------------|--------------|
|          |              |              |              |              | Min          | Max          |
| 03*      | .437 (11.1)  | .760 (19.3)  | .843 (21.4)  | .630 (16.0)  | .156 (4.0)   | .250 (6.4)   |
| 04*      | .437 (11.1)  | .760 (19.3)  | .906 (23.0)  | .755 (19.2)  | .188 (4.8)   | .312 (7.9)   |
| 06*      | .500 (12.7)  | .760 (19.3)  | 1.093 (27.8) | .942 (23.9)  | .281 (7.1)   | .438 (11.1)  |
| 08       | .563 (14.3)  | .760 (19.3)  | 1.187 (30.1) | 1.067 (27.1) | .387 (9.8)   | .562 (14.3)  |
| 10       | .563 (14.3)  | .760 (19.3)  | 1.281 (32.5) | 1.192 (30.3) | .375 (9.5)   | .625 (15.9)  |
| 12       | .563 (14.3)  | .760 (19.3)  | 1.500 (38.1) | 1.380 (35.1) | .438 (11.1)  | .750 (19.1)  |
| 16       | .656 (16.7)  | 1.073 (27.3) | 1.719 (43.7) | 1.535 (39.0) | .625 (15.9)  | .938 (23.8)  |
| 20       | .656 (16.7)  | 1.323 (33.6) | 2.062 (52.4) | 1.848 (46.9) | .875 (22.2)  | 1.250 (31.8) |
| 24       | .656 (16.7)  | 1.323 (33.6) | 2.312 (58.7) | 2.255 (57.3) | 1.000 (25.4) | 1.375 (34.9) |
| 28       | 1.188 (30.2) | 1.572 (39.9) | 2.719 (69.1) | 2.505 (63.6) | 1.250 (31.8) | 1.625 (41.3) |
| 32*      | 1.187 (30.1) | 1.572 (39.9) | 2.969 (75.4) | 2.755 (70.0) | 1.437 (36.5) | 1.875 (47.6) |
| 40*      | 1.125 (28.6) | 1.572 (39.9) | 3.531 (89.7) | 3.255 (82.7) | 1.875 (47.6) | 2.375 (60.3) |

\* Not available in Style M clamp.