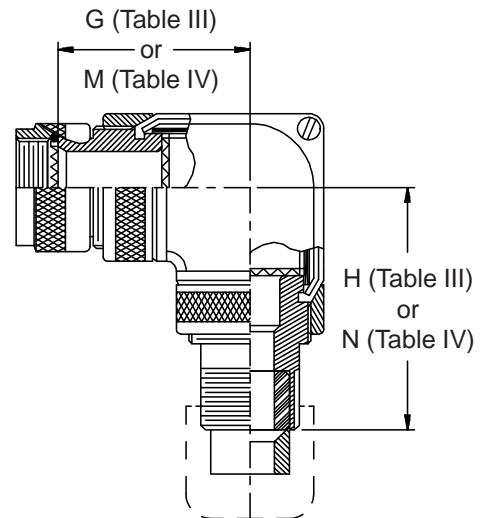
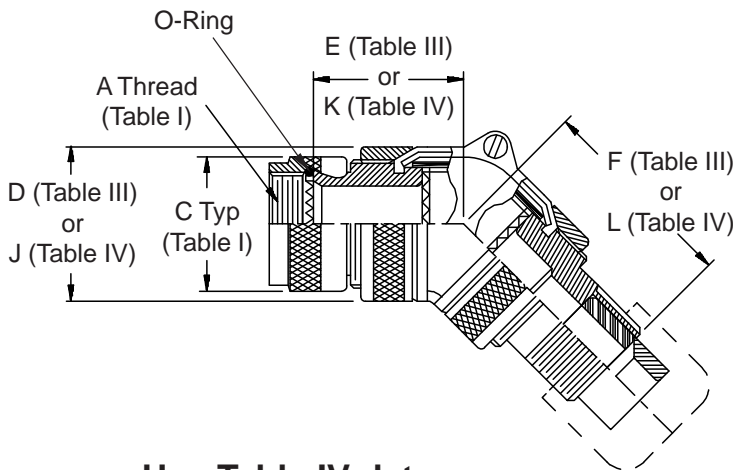
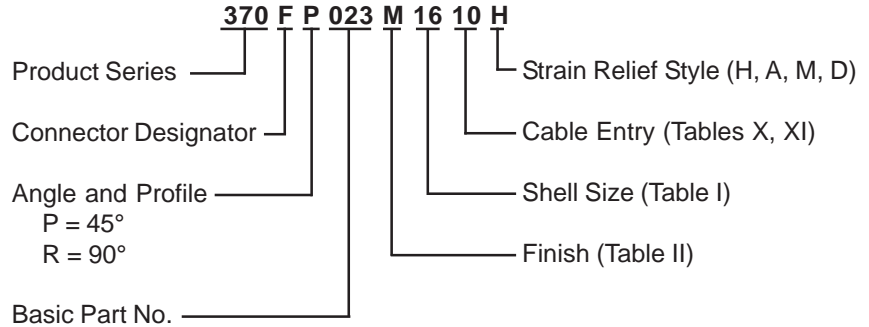
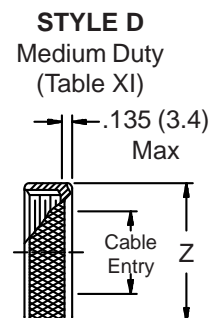
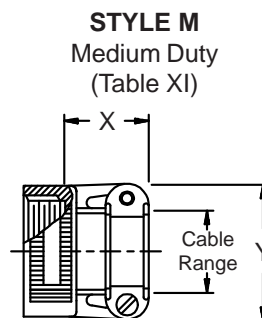
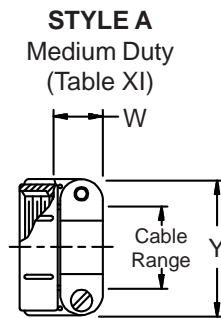
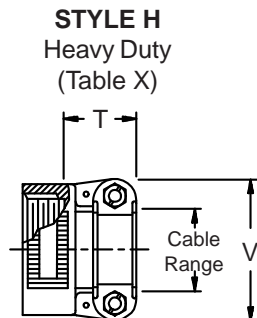


**CONNECTOR
 DESIGNATORS
 A-F-H-L-S
 ROTATABLE
 COUPLING**



**Use Table IV data
 when C diameter
 exceeds D diameter.**



370-023
Submersible Split Shell Cable Sealing Backshell
 with Strain Relief
 Low Profile - Rotatable Coupling



TABLE III: DIMENSIONS

Shell Size		D		E		F		G		H	
Conn. Desig.	H	Max	(mm)	Max	(mm)	Max	(mm)	Max	(mm)	Max	(mm)
A-F-L-S											
08	09	1.188	(30.2)	1.781	(45.2)	2.156	(54.8)	1.781	(45.2)	2.156	(54.8)
10	11	1.188	(30.2)	1.781	(45.2)	2.156	(54.8)	1.781	(45.2)	2.156	(54.8)
12	13	1.188	(30.2)	1.781	(45.2)	2.156	(54.8)	1.781	(45.2)	2.156	(54.8)
14	15	1.188	(30.2)	1.781	(45.2)	2.156	(54.8)	1.781	(45.2)	2.156	(54.8)
16	17	1.438	(36.5)	1.906	(48.4)	2.281	(57.9)	1.906	(48.4)	2.281	(57.9)
18	19	1.438	(36.5)	1.906	(48.4)	2.281	(57.9)	1.906	(48.4)	2.281	(57.9)
20	21	1.438	(36.5)	1.906	(48.4)	2.281	(57.9)	1.906	(48.4)	2.281	(57.9)
22	23	1.688	(42.9)	2.031	(51.6)	2.406	(61.1)	2.031	(51.6)	2.406	(61.1)
24	25	1.688	(42.9)	2.031	(51.6)	2.406	(61.1)	2.031	(51.6)	2.406	(61.1)

See inside back cover fold-out or pages 13 and 14 for unabridged Tables I and II.

TABLE IV: DIMENSIONS

Dash No.	J Max	K Max	L Max	M Max	N Max
08	1.438 (36.5)	1.906 (48.4)	2.281 (57.9)	1.906 (48.4)	2.281 (57.9)
10	1.688 (42.9)	2.031 (51.6)	2.406 (61.1)	2.031 (51.6)	2.406 (61.1)
12	1.688 (42.9)	2.031 (51.6)	2.406 (61.1)	2.031 (51.6)	2.406 (61.1)
16	1.688 (42.9)	2.031 (51.6)	2.406 (61.1)	2.031 (51.6)	2.406 (61.1)
20	2.188 (55.6)	2.281 (57.9)	2.656 (67.5)	2.281 (57.9)	2.656 (67.5)
24	2.188 (55.6)	2.281 (57.9)	2.656 (67.5)	2.281 (57.9)	2.656 (67.5)
28	2.688 (68.3)	2.531 (64.3)	2.906 (73.8)	2.531 (64.3)	2.906 (73.8)

1. Metric dimensions (mm) are indicated in parentheses.
2. Cable range is defined as the accommodations range for the wire bundle or cable. Dimensions shown are not intended for inspection criteria.
3. Interface O-Ring not supplied with connector designator A.

TABLE X: CABLE ENTRY

Dash No.	T Max	V Max	Cable Range	
			Min	Max
04	.780 (19.8)	.957 (24.3)	.125 (3.2)	.312 (7.9)
06	.780 (19.8)	1.145 (29.1)	.250 (6.4)	.437 (11.1)
08	.780 (19.8)	1.332 (33.8)	.387 (9.8)	.562 (14.3)
10	.780 (19.8)	1.332 (33.8)	.350 (8.9)	.625 (15.9)
12	.811 (20.6)	1.551 (39.4)	.500 (12.7)	.750 (19.1)
16	.905 (23.0)	1.770 (45.0)	.625 (15.9)	.937 (23.8)
20	1.092 (27.7)	2.113 (53.7)	.875 (22.2)	1.250 (31.8)
24	1.124 (28.5)	2.363 (60.0)	1.000 (25.4)	1.375 (34.9)
28	1.399 (35.5)	2.770 (70.4)	1.250 (31.8)	1.625 (41.3)

TABLE II: STANDARD FINISHES

SYMBOL	FINISH
B	Cadmium Plate, Olive Drab
C	Anodize, Black
G	Hard Coat, Anodic
M	Electroless Nickel
NF	Cadmium Plate, Olive Drab Over Electroless Nickel

See Inside Back Cover for Additional Finish Options

TABLE XI: CABLE ENTRY

Dash No.	W Max	X Max	Y Max	Z Max	Cable Range	
					Min **	Max
03*	.437 (11.1)	.760 (19.3)	.843 (21.4)	.630 (16.0)	.156 (4.0)	.250 (6.4)
04*	.437 (11.1)	.760 (19.3)	.906 (23.0)	.755 (19.2)	.188 (4.8)	.312 (7.9)
06*	.500 (12.7)	.760 (19.3)	1.093 (27.8)	.942 (23.9)	.281 (7.1)	.438 (11.1)
08	.563 (14.3)	.760 (19.3)	1.187 (30.1)	1.067 (27.1)	.387 (9.8)	.562 (14.3)
10	.563 (14.3)	.760 (19.3)	1.281 (32.5)	1.192 (30.3)	.375 (9.5)	.625 (15.9)
12	.563 (14.3)	.760 (19.3)	1.500 (38.1)	1.380 (35.1)	.438 (11.1)	.750 (19.1)
16	.656 (16.7)	1.073 (27.3)	1.719 (43.7)	1.535 (39.0)	.625 (15.9)	.938 (23.8)
20	.656 (16.7)	1.323 (33.6)	2.062 (52.4)	1.848 (46.9)	.875 (22.2)	1.250 (31.8)
24	.656 (16.7)	1.323 (33.6)	2.312 (58.7)	2.255 (57.3)	1.000 (25.4)	1.375 (34.9)
28	1.188 (30.2)	1.572 (39.9)	2.719 (69.1)	2.505 (63.6)	1.250 (31.8)	1.625 (41.3)
32*	1.187 (30.1)	1.572 (39.9)	2.969 (75.4)	2.755 (70.0)	1.437 (36.5)	1.875 (47.6)

* Not available in Style M clamp.

** Not Applicable Style D