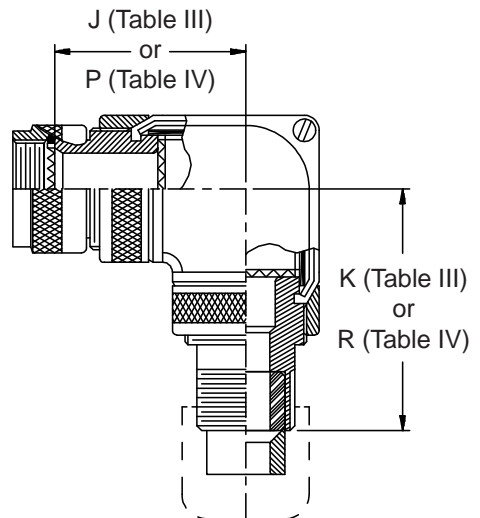
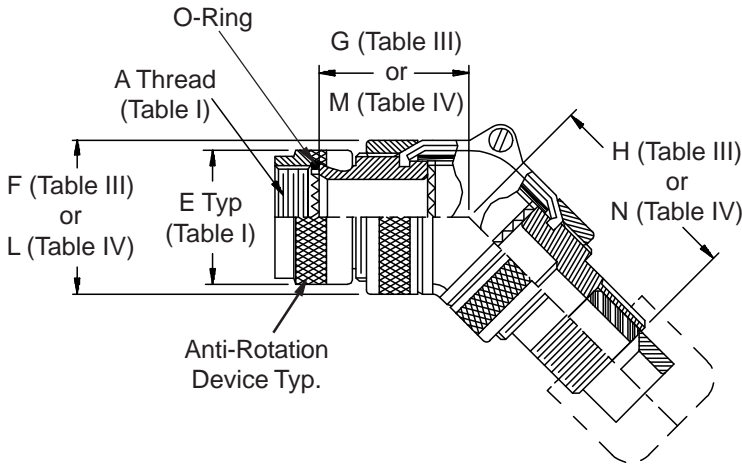
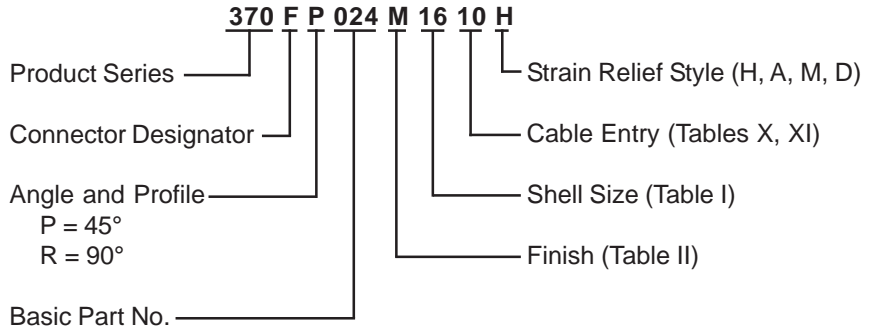
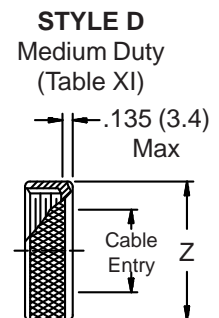
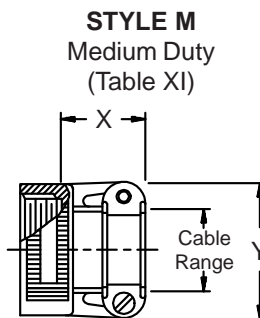
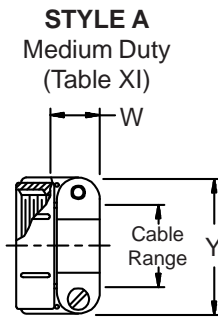
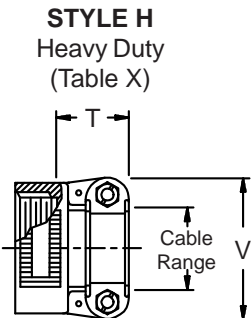


**CONNECTOR  
 DESIGNATORS  
 A-F-H-L-S  
 SELF-LOCKING  
 ROTATABLE  
 COUPLING**



**Use Table IV data  
 when E diameter  
 exceeds F diameter.**



**370-024**  
**Submersible Split Shell Cable Sealing Backshell**  
 with Strain Relief  
 Low Profile - Self-Locking - Rotatable Coupling



**TABLE III: DIMENSIONS**

Shell Size		F		G		H		J		K	
Conn. Desig.		Max		Max		Max		Max		Max	
A-F-L-S	H										
08	09	1.188	(30.2)	1.938	(49.2)	2.156	(54.8)	1.938	(49.2)	2.156	(54.8)
10	11	1.188	(30.2)	1.938	(49.2)	2.156	(54.8)	1.938	(49.2)	2.156	(54.8)
12	13	1.188	(30.2)	1.938	(49.2)	2.156	(54.8)	1.938	(49.2)	2.156	(54.8)
14	15	1.188	(30.2)	1.938	(49.2)	2.156	(54.8)	1.938	(49.2)	2.156	(54.8)
16	17	1.438	(36.5)	2.062	(52.4)	2.281	(57.9)	2.062	(52.4)	2.281	(57.9)
18	19	1.438	(36.5)	2.062	(52.4)	2.281	(57.9)	2.062	(52.4)	2.281	(57.9)
20	21	1.438	(36.5)	2.062	(52.4)	2.281	(57.9)	2.062	(52.4)	2.281	(57.9)
22	23	1.688	(42.9)	2.188	(55.6)	2.406	(61.1)	2.188	(55.6)	2.406	(61.1)
24	25	1.688	(42.9)	2.188	(55.6)	2.406	(61.1)	2.188	(55.6)	2.406	(61.1)

See inside back cover fold-out or pages 13 and 14 for unabridged Tables I and II.

**TABLE IV: DIMENSIONS**

Dash No.	L Max	M Max	N Max	P Max	R Max
08	1.438 (36.5)	2.062 (52.4)	2.281 (57.9)	2.062 (52.4)	2.281 (57.9)
10	1.688 (42.9)	2.188 (55.6)	2.406 (61.1)	2.188 (55.6)	2.406 (61.1)
12	1.688 (42.9)	2.188 (55.6)	2.406 (61.1)	2.188 (55.6)	2.406 (61.1)
16	1.688 (42.9)	2.188 (55.6)	2.406 (61.1)	2.188 (55.6)	2.406 (61.1)
20	2.188 (55.6)	2.438 (61.9)	2.656 (67.5)	2.438 (61.9)	2.656 (67.5)
24	2.188 (55.6)	2.438 (61.9)	2.656 (67.5)	2.438 (61.9)	2.656 (67.5)
28	2.688 (68.3)	2.688 (68.3)	2.906 (73.8)	2.688 (68.3)	2.906 (73.8)

1. Metric dimensions (mm) are indicated in parentheses.
2. Cable range is defined as the accommodations range for the wire bundle or cable. Dimensions shown are not intended for inspection criteria.
3. Interface O-Ring not supplied with connector designator A.

**TABLE X: CABLE ENTRY**

Dash No.	T Max	V Max	Cable Range	
			Min	Max
04	.780 (19.8)	.957 (24.3)	.125 (3.2)	.312 (7.9)
06	.780 (19.8)	1.145 (29.1)	.250 (6.4)	.437 (11.1)
08	.780 (19.8)	1.332 (33.8)	.387 (9.8)	.562 (14.3)
10	.780 (19.8)	1.332 (33.8)	.350 (8.9)	.625 (15.9)
12	.811 (20.6)	1.551 (39.4)	.500 (12.7)	.750 (19.1)
16	.905 (23.0)	1.770 (45.0)	.625 (15.9)	.937 (23.8)
20	1.092 (27.7)	2.113 (53.7)	.875 (22.2)	1.250 (31.8)
24	1.124 (28.5)	2.363 (60.0)	1.000 (25.4)	1.375 (34.9)
28	1.399 (35.5)	2.770 (70.4)	1.250 (31.8)	1.625 (41.3)

**TABLE II: STANDARD FINISHES**

GLENAIR SYMBOL	FINISH
B	Cadmium Plate, Olive Drab
C	Anodize, Black
G	Hard Coat, Anodic
M	Electroless Nickel
NF	Cadmium Plate, Olive Drab Over Electroless Nickel

See Inside Back Cover for Additional Finish Options

**TABLE XI: CABLE ENTRY**

Dash No.	W Max	X Max	Y Max	Z Max	Cable Range	
					Min **	Max
03*	.437 (11.1)	.760 (19.3)	.843 (21.4)	.630 (16.0)	.156 (4.0)	.250 (6.4)
04*	.437 (11.1)	.760 (19.3)	.906 (23.0)	.755 (19.2)	.188 (4.8)	.312 (7.9)
06*	.500 (12.7)	.760 (19.3)	1.093 (27.8)	.942 (23.9)	.281 (7.1)	.438 (11.1)
08	.563 (14.3)	.760 (19.3)	1.187 (30.1)	1.067 (27.1)	.387 (9.8)	.562 (14.3)
10	.563 (14.3)	.760 (19.3)	1.281 (32.5)	1.192 (30.3)	.375 (9.5)	.625 (15.9)
12	.563 (14.3)	.760 (19.3)	1.500 (38.1)	1.380 (35.1)	.438 (11.1)	.750 (19.1)
16	.656 (16.7)	1.073 (27.3)	1.719 (43.7)	1.535 (39.0)	.625 (15.9)	.938 (23.8)
20	.656 (16.7)	1.323 (33.6)	2.062 (52.4)	1.848 (46.9)	.875 (22.2)	1.250 (31.8)
24	.656 (16.7)	1.323 (33.6)	2.312 (58.7)	2.255 (57.3)	1.000 (25.4)	1.375 (34.9)
28	1.188 (30.2)	1.572 (39.9)	2.719 (69.1)	2.505 (63.6)	1.250 (31.8)	1.625 (41.3)
32	1.187 (30.1)	1.572 (39.9)	2.969 (75.4)	2.755 (70.0)	1.437 (36.5)	1.875 (47.6)

\* Not available in Style M clamp.      \*\* Not Applicable Style D