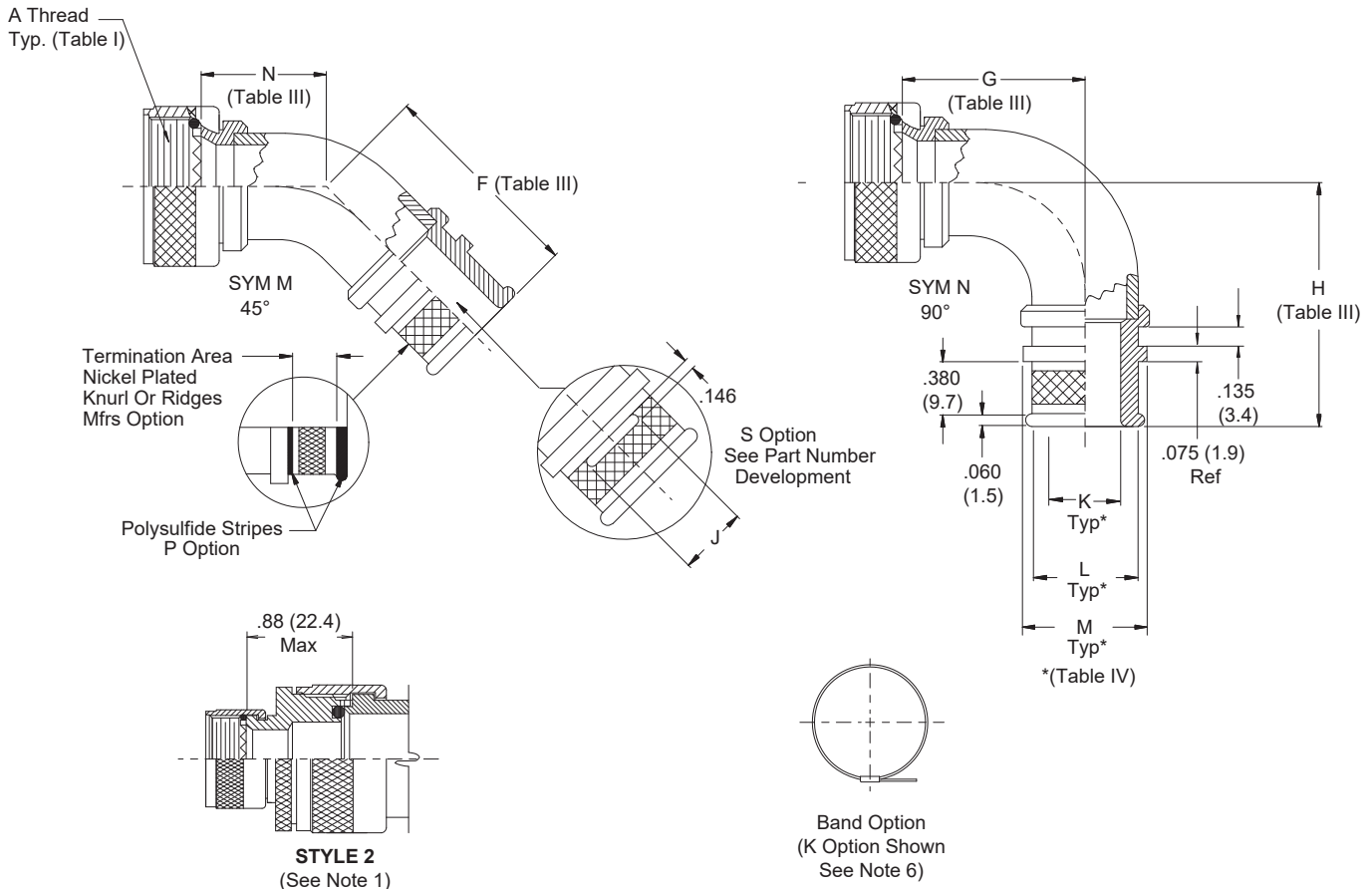
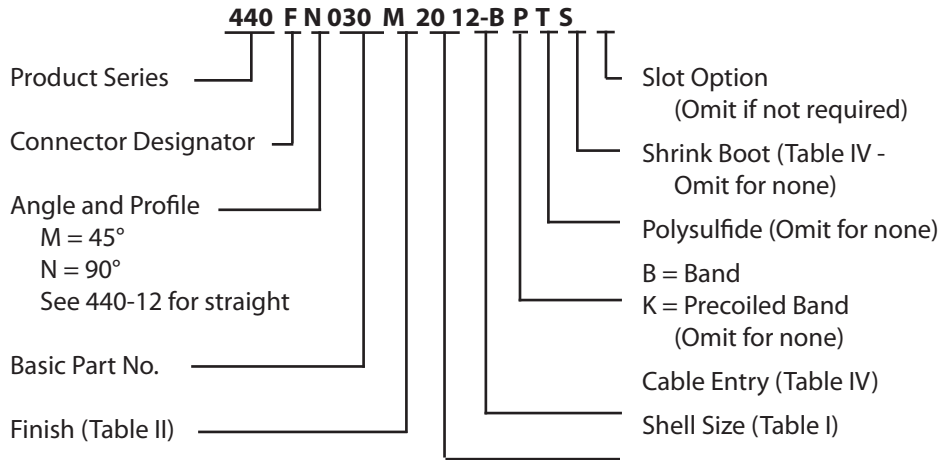


**CONNECTOR
DESIGNATORS**

A-F-H-L
**ROTATABLE
COUPLING**



See inside back cover fold-out or pages 13 and 14 for Tables I and II.

TABLE III: ELBOW DIMENSIONS									
Shell Size		Conn. Desig.		E		F		G	
A-F-L	H	Max	Max	Max	Max	Max	Max	Max	
08	09	.812	(20.6)	1.017	(25.8)	1.125	(28.6)	1.335	(33.9)
10	11	.875	(22.2)	1.071	(27.2)	1.250	(31.8)	1.460	(37.1)
12	13	.938	(23.8)	1.121	(28.5)	1.375	(34.9)	1.585	(40.3)
14	15	1.000	(25.4)	1.175	(29.8)	1.500	(38.1)	1.710	(43.4)
16	17	1.062	(27.0)	1.224	(31.1)	1.625	(41.3)	1.835	(46.6)
18	19	1.094	(27.8)	1.274	(32.4)	1.750	(44.5)	1.960	(49.8)
20	21	1.156	(29.4)	1.328	(33.7)	1.875	(47.6)	2.085	(53.0)
22	23	1.188	(30.2)	1.382	(35.1)	2.000	(50.8)	2.210	(56.1)
24	25	1.250	(31.8)	1.431	(36.3)	2.125	(54.0)	2.335	(59.3)

TABLE IV: CABLE ENTRY					
Dash No.	K	L	M	Shrink Boot	
01	.125 (3.2)	.250 (6.4)	.312 (7.9)	770-003S111	
31	.188 (4.8)	.312 (7.9)	.374 (9.5)	770-003S111	
02	.250 (6.4)	.375 (9.5)	.437 (11.1)	770-003S112	
32	.312 (7.9)	.438 (11.1)	.500 (12.7)	770-003S112	
03	.375 (9.5)	.500 (12.7)	.562 (14.3)	770-003S112	
33	.438 (11.1)	.562 (14.3)	.624 (15.8)	770-001S104	
04	.500 (12.7)	.625 (15.9)	.687 (17.4)	770-001S104	
34	.562 (14.3)	.688 (17.5)	.750 (19.1)	770-001S104	
05	.625 (15.9)	.750 (19.1)	.812 (20.6)	770-001S104	
35	.688 (17.5)	.812 (20.6)	.874 (22.2)	770-001S104	
06	.750 (19.1)	.875 (22.2)	.937 (23.8)	770-001S105	
36	.812 (20.6)	.938 (23.8)	1.000 (25.4)	770-001S105	
07	.875 (22.2)	1.000 (25.4)	1.062 (27.0)	770-001S105	
37	.938 (23.8)	1.062 (27.0)	1.124 (28.5)	770-001S105	
08	1.000 (25.4)	1.125 (28.6)	1.187 (30.1)	770-001S106	
38	1.062 (27.0)	1.188 (30.2)	1.250 (31.8)	770-001S106	
09	1.125 (28.6)	1.250 (31.8)	1.312 (33.3)	770-001S107	
10	1.250 (31.8)	1.375 (34.9)	1.437 (36.5)	770-001S107	
11	1.375 (34.9)	1.500 (38.1)	1.562 (39.7)	770-001S107	
12	1.500 (38.1)	1.625 (41.3)	1.687 (42.8)	770-001S107	
13	1.625 (41.3)	1.750 (44.5)	1.812 (46.0)	770-001S108	
14	1.750 (44.5)	1.875 (47.6)	1.937 (49.2)	770-001S108	
15	1.875 (47.6)	2.000 (50.8)	2.062 (52.4)	770-001S109	
16	2.000 (50.8)	2.125 (54.0)	2.187 (55.5)	770-001S109	

1. When maximum cable entry (page 21) is exceeded, Style 2 will be supplied. Dimensions E, F, G, and H will not apply. Please consult factory.
2. Metric dimensions (mm) are indicated in parentheses.
3. Interface O-Ring not supplied with Connector Designator A.
4. Consult factory for shorter lengths on straight backshells.
5. See page 40 for Shrink Boot Reference Information.
6. Backshells supplied with 600-052-* band, see Glenair Series 600 Tool Catalog for installation.