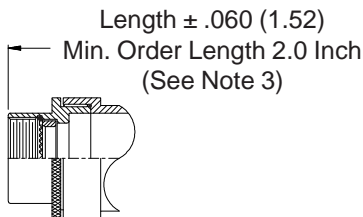
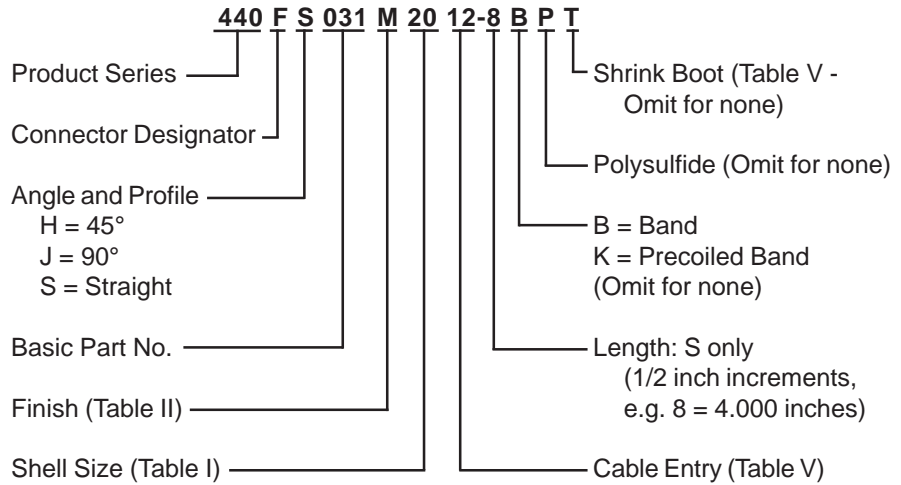
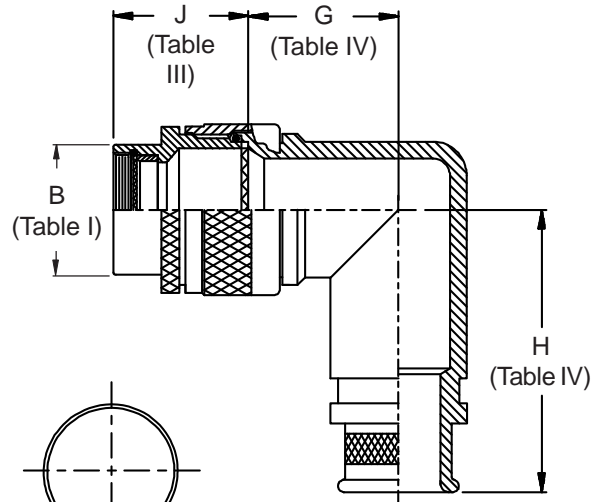
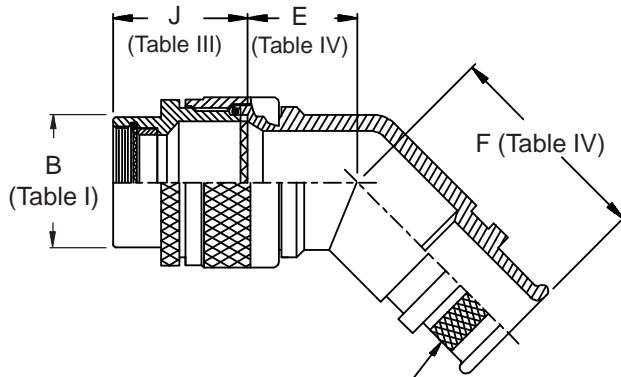
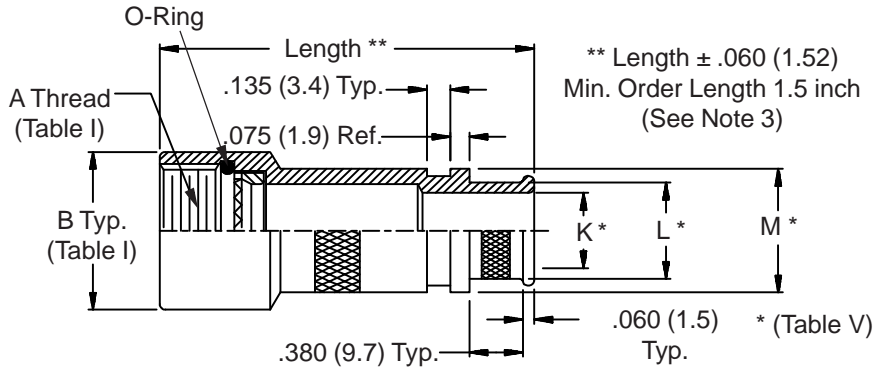


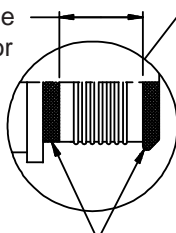
**CONNECTOR DESIGNATORS**  
**A-B\*-C-D-E-F**  
**G-H-J-K-L-S**  
 \* Conn. Desig. B See Note 5  
**DIRECT COUPLING**



**STYLE 2 (STRAIGHT)**  
 See Note 1)



Termination Area Free of Cadmium. Knurl or Ridges Mfr's Option



Polysulfide Stripes  
 P Option

Band Option  
 (K Option Shown - See Note 6)

