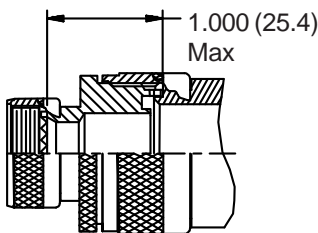
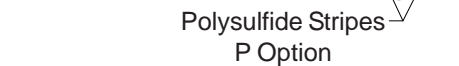
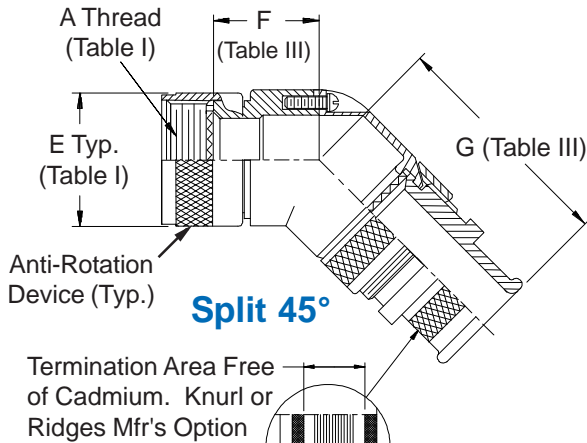
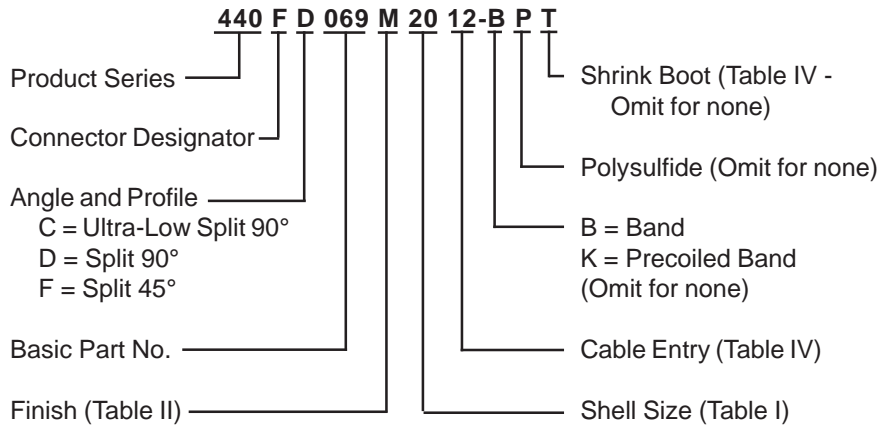
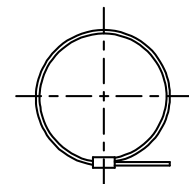
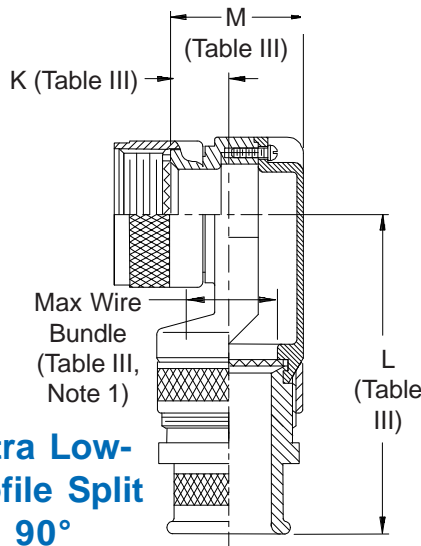
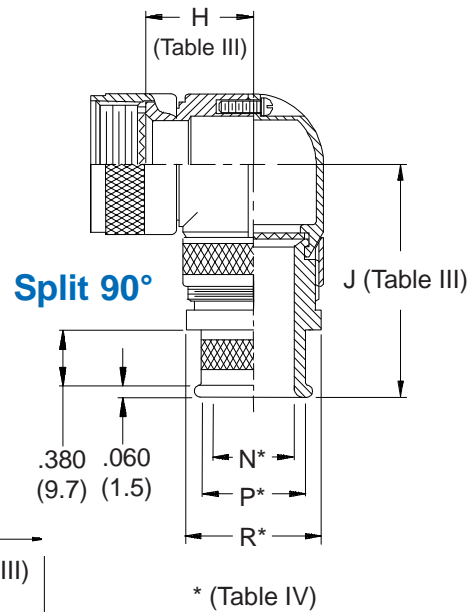


**CONNECTOR
DESIGNATORS
A-F-H-L
SELF-LOCKING
ROTATABLE
COUPLING**



**STYLE 2
(See Note 1)**



Band Option
(K Option Shown -
See Note 5)

