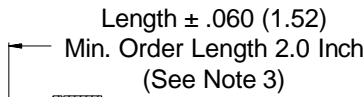
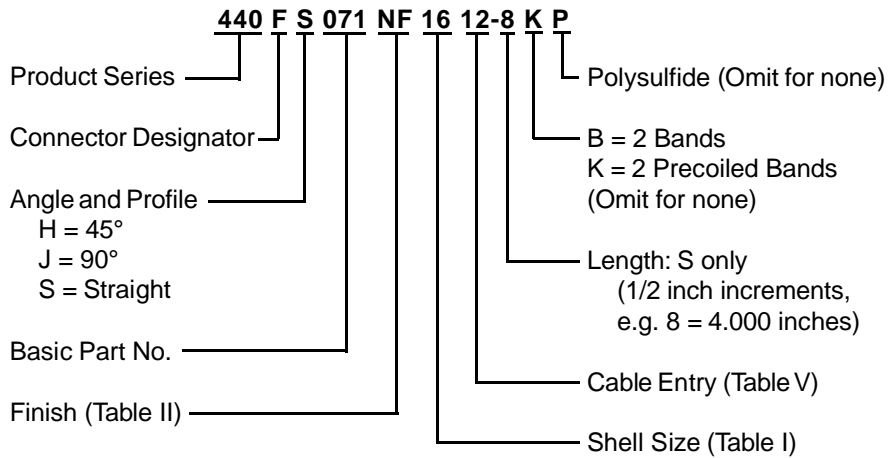
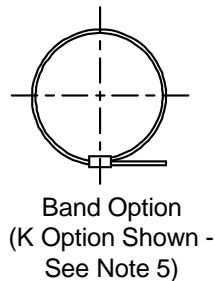
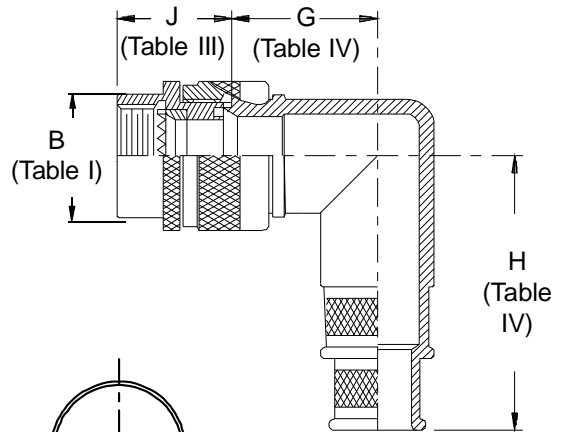
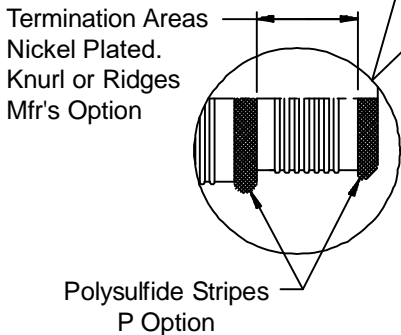
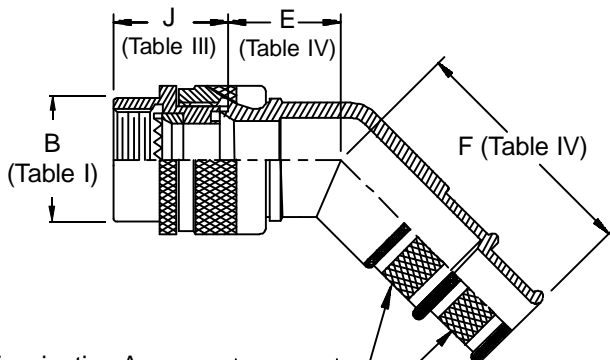
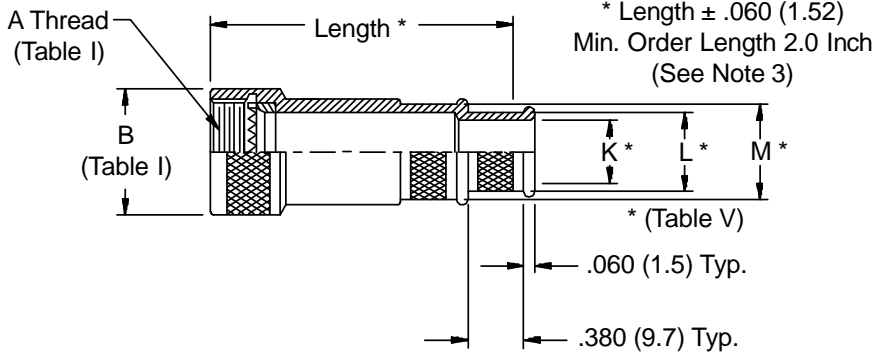


**CONNECTOR
DESIGNATORS
A-B*-C-D-E-F
G-H-J-K-L-S**

* Conn. Desig. B See Note 4
DIRECT COUPLING



**STYLE 2
(STRAIGHT
See Note 1)**



440-071
EMI/RFI Dual Banding Adapter
Direct Coupling - Standard Profile



See inside back cover
fold-out or pages 13 and
14 for Tables I and II.

TABLE III: FRONT ADAPTER			
Shell Size	J Max - Conn. Designator		
	A-E-F		C
	J-H-L-S	D-B-G-K	
08/09	1.180 (30.0)	1.250 (31.8)	
10/11	1.180 (30.0)	1.250 (31.8)	
12/13	1.180 (30.0)	1.250 (31.8)	1.735 (44.1)
14/15	1.180 (30.0)	1.250 (31.8)	1.915 (48.6)
16/17	1.380 (35.0)	1.560 (39.6)	1.915 (48.6)
18/19	1.380 (35.0)	1.560 (39.6)	1.915 (48.6)
20/21	1.380 (35.0)	1.560 (39.6)	1.915 (48.6)
22/23	1.380 (35.0)	1.560 (39.6)	1.915 (48.6)
24/25	1.380 (35.0)	1.560 (39.6)	1.915 (48.6)
28/29	1.610 (40.9)	1.560 (39.6)	1.915 (48.6)
32/33	1.610 (40.9)	1.750 (44.5)	1.915 (48.6)
36	1.610 (40.9)	1.750 (44.5)	1.915 (48.6)
40	1.610 (40.9)	2.190 (55.6)	1.915 (48.6)

TABLE IV: ELBOW DIMENSIONS					
Elbow Size	E Max	F Max	G Max	H Max	
02	.639 (16.2)	1.328 (33.7)	.750 (19.1)	1.438 (36.5)	
03	.639 (16.2)	1.328 (33.7)	.750 (19.1)	1.438 (36.5)	
04	.639 (16.2)	1.328 (33.7)	.750 (19.1)	1.438 (36.5)	
05	.664 (16.9)	1.358 (34.5)	.810 (20.6)	1.498 (38.0)	
06	.664 (16.9)	1.358 (34.5)	.810 (20.6)	1.498 (38.0)	
07	.688 (17.5)	1.378 (35.0)	.870 (22.1)	1.558 (39.6)	
08	.688 (17.5)	1.378 (35.0)	.870 (22.1)	1.558 (39.6)	
09	.705 (17.9)	1.408 (35.8)	.920 (23.4)	1.628 (41.4)	
10	.732 (18.6)	1.428 (36.3)	.980 (24.9)	1.688 (42.9)	
11	.732 (18.6)	1.428 (36.3)	.980 (24.9)	1.688 (42.9)	
12	.748 (19.0)	1.438 (36.5)	1.020 (25.9)	1.708 (43.4)	
13	.773 (19.6)	1.458 (37.0)	1.080 (27.4)	1.768 (44.9)	
14	.773 (19.6)	1.458 (37.0)	1.080 (27.4)	1.768 (44.9)	
15	.800 (20.3)	1.498 (38.0)	1.140 (29.0)	1.848 (46.9)	
16	.800 (20.3)	1.498 (38.0)	1.140 (29.0)	1.848 (46.9)	

TABLE V: CABLE ENTRY					
Dash No.	K Dia	L Dia	M Dia		
02	.125 (3.2)	.250 (6.4)	.312 (7.9)		
03	.188 (4.8)	.312 (7.9)	.375 (9.5)		
04	.250 (6.4)	.375 (9.5)	.438 (11.1)		
05	.312 (7.9)	.438 (11.1)	.500 (12.7)		
06	.375 (9.5)	.500 (12.7)	.562 (14.3)		
07	.438 (11.1)	.562 (14.3)	.625 (15.9)		
08	.500 (12.7)	.625 (15.9)	.688 (17.5)		
09	.562 (14.3)	.688 (17.5)	.750 (19.1)		
10	.625 (15.9)	.750 (19.1)	.812 (20.6)		
11	.688 (17.5)	.812 (20.6)	.875 (22.2)		
12	.750 (19.1)	.875 (22.2)	.938 (23.8)		
13	.812 (20.6)	.938 (23.8)	1.000 (25.4)		
14	.875 (22.2)	1.000 (25.4)	1.062 (27.0)		
15	.938 (23.8)	1.062 (27.0)	1.125 (28.6)		
16	1.000 (25.4)	1.125 (28.6)	1.188 (30.2)		
17	1.062 (27.0)	1.188 (30.2)	1.250 (31.8)		
18	1.125 (28.6)	1.250 (31.8)	1.312 (33.3)		
20	1.250 (31.8)	1.375 (34.9)	1.438 (36.5)		
22	1.375 (34.9)	1.500 (38.1)	1.562 (39.7)		
24	1.500 (38.1)	1.625 (41.3)	1.688 (42.9)		

1. When maximum cable entry (page 22) is exceeded, Style 2 will be supplied. (Function S only).
2. Metric dimensions (mm) are indicated in parentheses.
3. Consult factory for shorter lengths on straight backshells.
4. When using Connector Designator B refer to pages 18 and 19 for part number development.
5. Backshells supplied with 600-052-* band, see Glenair Series 600 Tool Catalog for installation.