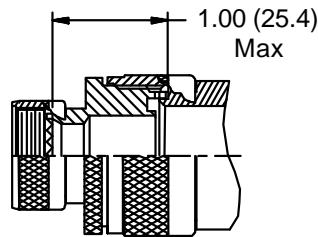
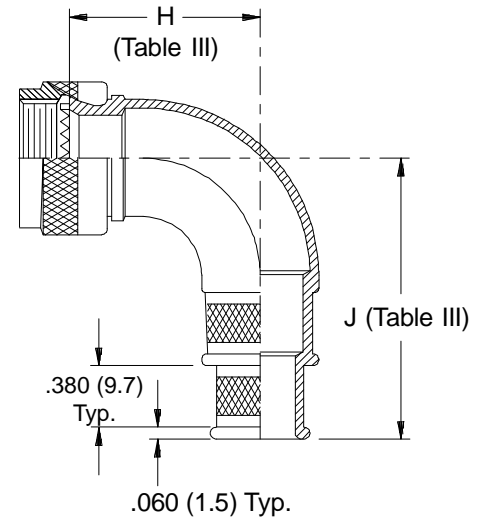
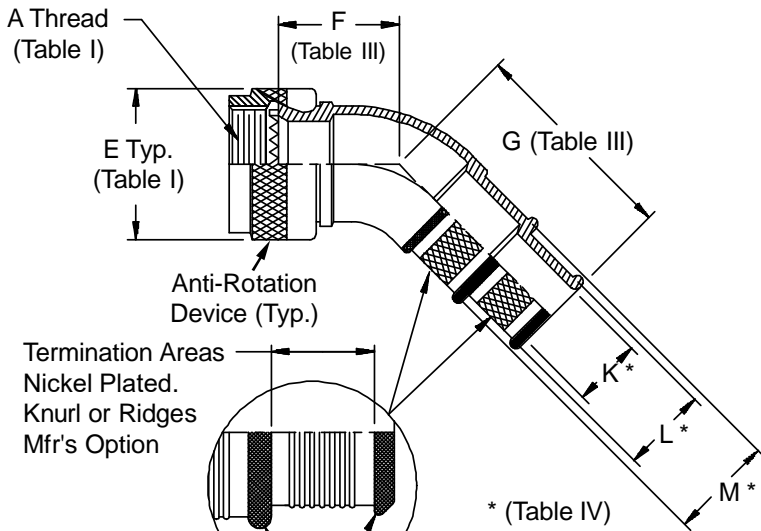
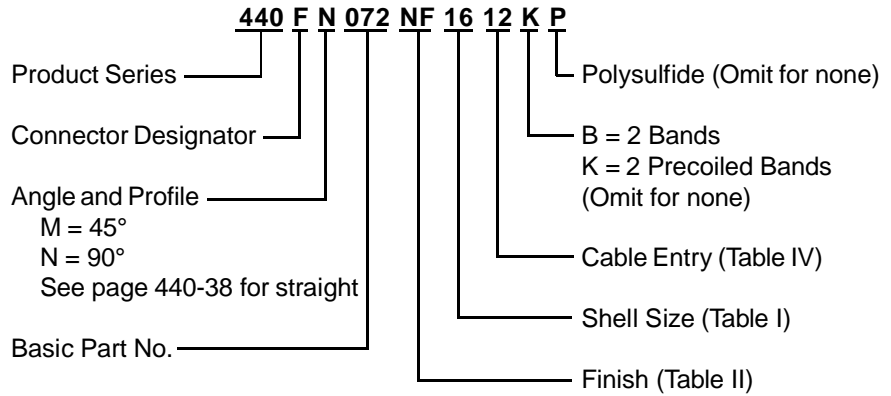
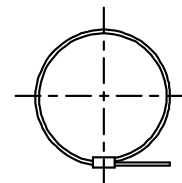


CONNECTOR DESIGNATORS
A-F-H-L-S
SELF-LOCKING ROTATABLE COUPLING



STYLE 2
 (See Note 1)



Band Option
 (K Option Shown -
 See Note 3)

440-072
EMI/RFI Dual Banding Adapter
Self-Locking Rotatable Coupling - Full Radius Profile



440

See inside back cover fold-out or pages 13 and 14 for Tables I and II.

TABLE III: ELBOW DIMENSIONS									
Shell Size		F		G		H		J	
Conn. Desig.	H	Max		Max		Max		Max	
A-F-L-S	H	F	Max	G	Max	H	Max	J	Max
08	09	.968	(24.6)	1.230	(31.2)	1.281	(32.5)	1.530	(38.9)
10	11	1.031	(26.2)	1.290	(32.8)	1.406	(35.7)	1.660	(42.2)
12	13	1.094	(27.8)	1.350	(34.3)	1.531	(38.9)	1.790	(45.5)
14	15	1.156	(29.4)	1.410	(35.8)	1.656	(42.1)	1.910	(48.5)
16	17	1.218	(30.9)	1.470	(37.3)	1.781	(45.2)	2.040	(51.8)
18	19	1.250	(31.8)	1.540	(39.1)	1.906	(48.4)	2.160	(54.9)
20	21	1.312	(33.3)	1.600	(40.6)	2.031	(51.6)	2.290	(58.2)
22	23	1.344	(34.1)	1.660	(42.2)	2.156	(54.8)	2.410	(61.2)
24	25	1.406	(35.7)	1.720	(43.7)	2.281	(57.9)	2.540	(64.5)

TABLE IV: CABLE ENTRY				
Dash No.	K Dia	L Dia	M Dia	
02	.125 (3.2)	.250 (6.4)	.312	(7.9)
03	.188 (4.8)	.312 (7.9)	.375	(9.5)
04	.250 (6.4)	.375 (9.5)	.438	(11.1)
05	.312 (7.9)	.438 (11.1)	.500	(12.7)
06	.375 (9.5)	.500 (12.7)	.562	(14.3)
07	.438 (11.1)	.562 (14.3)	.625	(15.9)
08	.500 (12.7)	.625 (15.9)	.688	(17.5)
09	.562 (14.3)	.688 (17.5)	.750	(19.1)
10	.625 (15.9)	.750 (19.1)	.812	(20.6)
11	.688 (17.5)	.812 (20.6)	.875	(22.2)
12	.750 (19.1)	.875 (22.2)	.938	(23.8)
13	.812 (20.6)	.938 (23.8)	1.000	(25.4)
14	.875 (22.2)	1.000 (25.4)	1.062	(27.0)
15	.938 (23.8)	1.062 (27.0)	1.125	(28.6)
16	1.000 (25.4)	1.125 (28.6)	1.188	(30.2)
17	1.062 (27.0)	1.188 (30.2)	1.250	(31.8)
18	1.125 (28.6)	1.250 (31.8)	1.312	(33.3)
20	1.250 (31.8)	1.375 (34.9)	1.438	(36.5)
22	1.375 (34.9)	1.500 (38.1)	1.562	(39.7)
24	1.500 (38.1)	1.625 (41.3)	1.688	(42.9)

1. When maximum cable entry (page 21) is exceeded, Style 2 will be supplied. Dimensions F, G, H and J will not apply. Please consult factory.
2. Metric dimensions (mm) are indicated in parentheses.
3. Backshells supplied with 600-052-* band, see Glenair Series 600 Tool Catalog for installation.