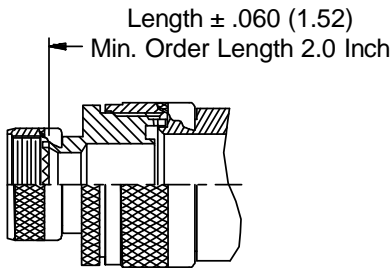
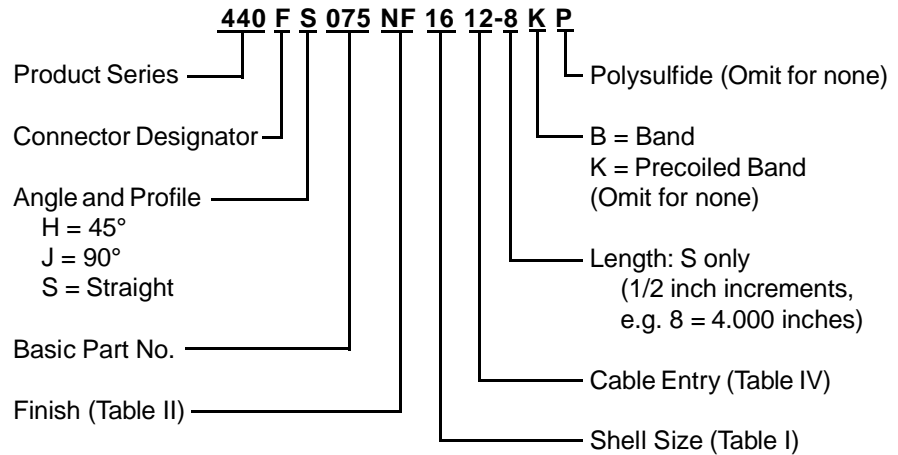
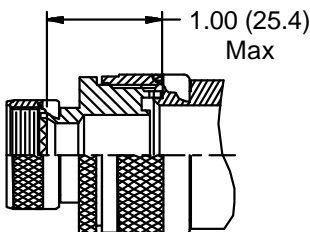
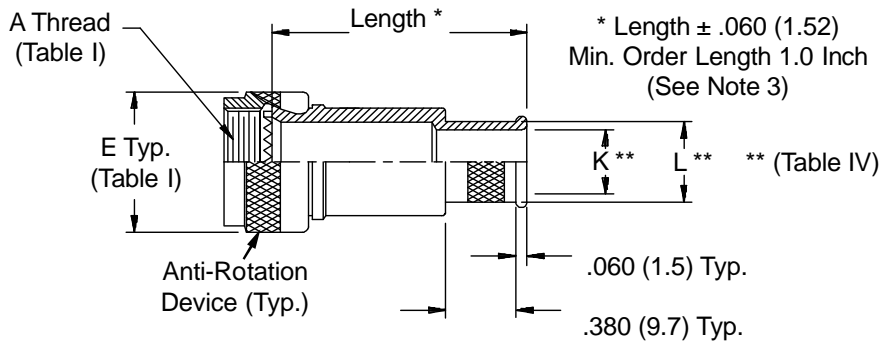


**CONNECTOR DESIGNATORS**  
**A-F-H-L-S**  
**SELF-LOCKING**  
**ROTATABLE**  
**COUPLING**



**STYLE 2**  
**(STRAIGHT**  
**See Note 1)**



**STYLE 2**  
**(45° & 90°**  
**See Note 1)**

