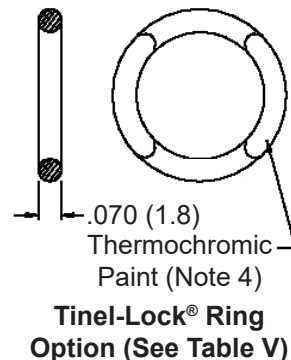
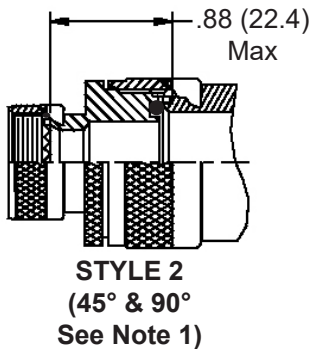
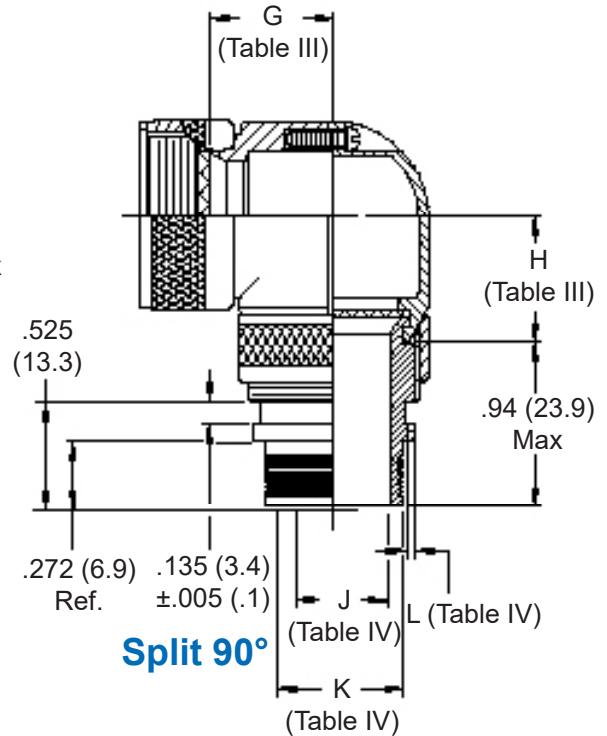
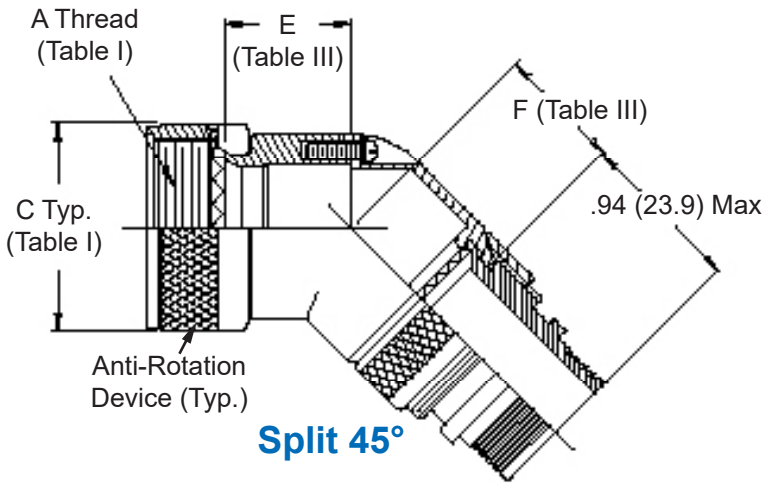
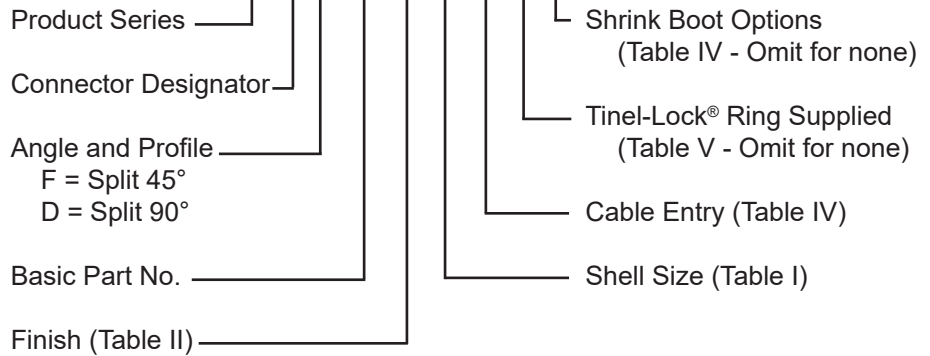


**CONNECTOR
DESIGNATORS**

A-F-H-L-S
**ROTATABLE
COUPLING**

**FOR TINEL-LOCK[®]
RING TERMINATIONS**

440 F F 084 M 20 12 AI T1



Tinel-Lock[®] is a registered trademark of Tyco

See inside back cover fold-out or pages 13 and 14 for Tables I and II.

TABLE III: ELBOW DIMENSIONS

Shell Size		E		F		G		H	
Conn. Desig.	H	Max		Max		Max		Max	
A-F-L-S									
08	09	.664	(16.9)	.62	(15.7)	.684	(17.4)	.56	(14.2)
10	11	.664	(16.9)	.68	(17.3)	.754	(19.2)	.62	(15.7)
12	13	.724	(18.4)	.75	(19.1)	.814	(20.7)	.69	(17.5)
14	15	.784	(19.9)	.78	(19.8)	.874	(22.2)	.72	(18.3)
16	17	.844	(21.4)	.88	(22.4)	.934	(23.7)	.81	(20.6)
18	19	.914	(23.2)	.94	(23.9)	1.004	(25.5)	.87	(22.1)
20	21	.984	(25.0)	1.00	(25.4)	1.064	(27.0)	.94	(23.9)
22	23	1.044	(26.5)	1.06	(26.9)	1.124	(28.5)	1.00	(25.4)
24	25	1.104	(28.0)	1.12	(28.4)	1.184	(30.1)	1.06	(26.9)

TABLE IV: CABLE ENTRY

Dash No.	J I.D.	K Dia Max	L		Shrink Boot Option T1*	Shrink Boot Option T2*	Tinel-Lock® Ring Entry Size
			+ .008	(.2)			
04	.250 (6.4)	.375 (9.5)	.044	(1.1)	770-001S112W1	770-001S212W1	04
05	.312 (7.9)	.437 (11.1)	.044	(1.1)	770-001S103W1	770-001S203W1	05
06	.375 (9.5)	.500 (12.7)	.044	(1.1)	770-001S103W1	770-001S203W1	06
07	.437 (11.1)	.562 (14.3)	.044	(1.1)	770-001S103W1	770-001S203W1	07
08	.500 (12.7)	.625 (15.9)	.044	(1.1)	770-001S103W1	770-001S203W1	08
10	.625 (15.9)	.750 (19.1)	.044	(1.1)	770-001S104W1	770-001S204W1	10
12	.750 (19.1)	.875 (22.2)	.084	(2.1)	770-001S104W1	770-001S204W1	12
14	.875 (22.2)	1.000 (25.4)	.084	(2.1)	770-001S106W1	770-001S206W1	14
16	1.000 (25.4)	1.125 (28.6)	.084	(2.1)	770-001S106W1	770-001S206W1	16
18	1.125 (28.6)	1.250 (31.8)	.084	(2.1)	770-001S107W1	770-001S207W1	18
20	1.250 (31.8)	1.375 (34.9)	.084	(2.1)	770-001S107W1	770-001S207W1	20

* T1 Option: Glenair shrink boot supplied with W1 high temperature hot melt adhesive.
** T2 Option: **This is a halogen-free system.** Glenair shrink boot supplied with W1 high temperature hot melt adhesive.

- When maximum cable entry (page 21) is exceeded, Style 2 will be supplied.
Dimensions E, F, G, and H will not apply. Please consult factory.
- Metric dimensions (mm) are indicated in parentheses.
- See page 40 for Shrink Boot Reference Information.
- The Tinel-Lock® ring designator must be specified according to the type of cable braid used. Tinel-Lock® rings are marked with thermochromic paint which changes color when the correct installation temperature is reached.
BI rings are identified with a red spot.

TABLE V: TINEL-LOCK® RING

Braid Type	Ring Designator
Single Layer 36 AWG	AI
Single Layer 34 AWG	AI
Single Layer 32 AWG	BI
Single Layer 30 AWG	BI
Double Layer 36 AWG	BI
Double Layer 34 AWG	BI
Double Layer 32 AWG	CI