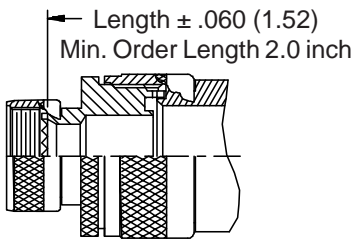
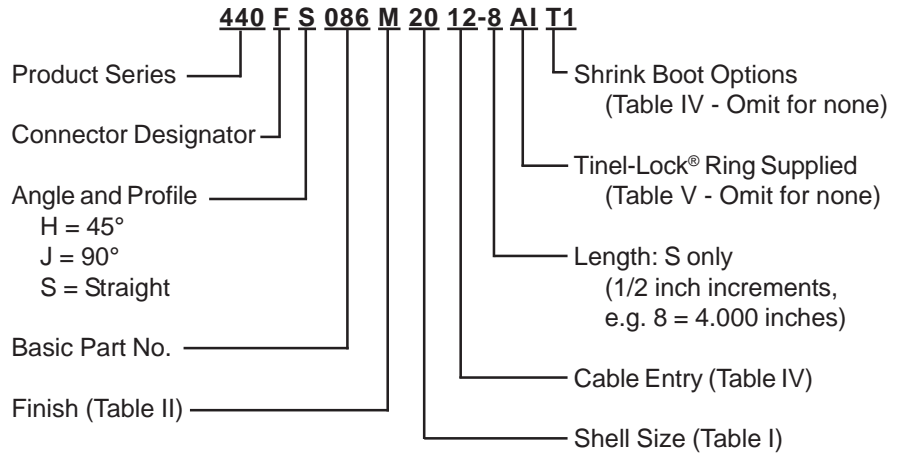
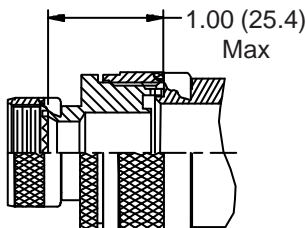


**CONNECTOR  
DESIGNATORS  
A-F-H-L-S  
SELF-LOCKING  
ROTATABLE  
COUPLING**

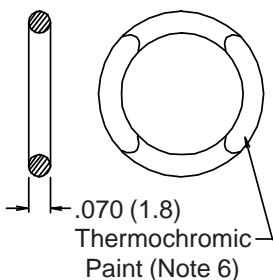
**FOR TINEL-LOCK®  
RING TERMINATIONS**



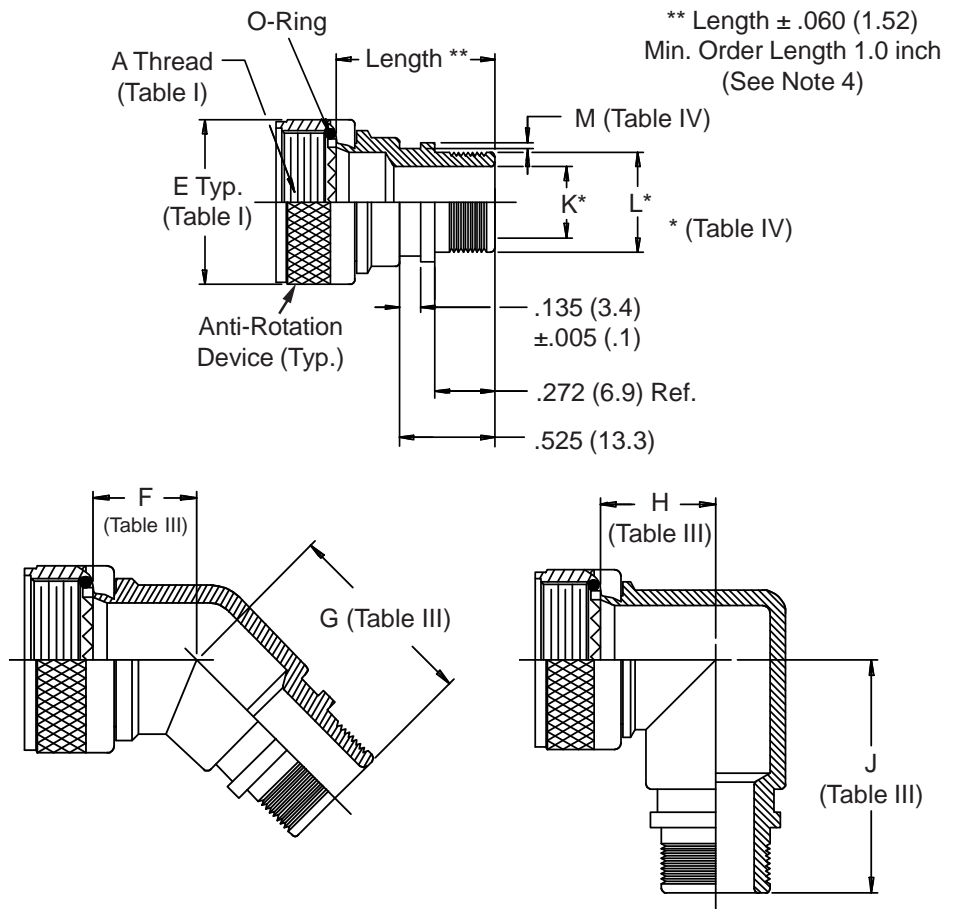
**STYLE 2  
(STRAIGHT  
See Note 1)**



**STYLE 2  
(45° & 90°  
See Note 1)**



**Tinel-Lock® Ring  
Option (See Table V)**



Note: The Tinel-Lock® ring designator must be specified according to the type of cable braid used. Tinel-Lock® rings are marked with thermochromic paint which changes color when the correct installation temperature is reached. BI rings are identified with a red spot. CI rings are identified with a blue spot.

Tinel-Lock® is a registered trademark of Tyco

440-086  
EMI/RFI Tinel-Lock® Ring Adapter  
Self-Locking Rotatable Coupling - Standard Profile



See inside back cover fold-out or pages 13 and 14 for Tables I and II.

TABLE III: ELBOW DIMENSIONS

Shell Size Conn. Desig.		F	G	H	J
A-F-L-S	H	Max	Max	Max	Max
03		.796 (20.2)	.89 (22.6)	.906 (23.0)	1.00 (25.4)
08	09	.796 (20.2)	.89 (22.6)	.906 (23.0)	1.00 (25.4)
10	11	.816 (20.7)	.92 (23.4)	.966 (24.5)	1.06 (26.9)
12	13	.846 (21.5)	.94 (23.9)	1.026 (26.1)	1.12 (28.4)
14	15	.866 (22.0)	.97 (24.6)	1.076 (27.3)	1.19 (30.2)
16	17	.886 (22.5)	.99 (25.1)	1.136 (28.9)	1.25 (31.8)
18	19	.906 (23.0)	1.00 (25.4)	1.176 (29.9)	1.27 (32.3)
20	21	.926 (23.5)	1.02 (25.9)	1.236 (31.4)	1.33 (33.8)
22	23	.956 (24.3)	1.06 (26.9)	1.296 (32.9)	1.41 (35.8)
24	25	.976 (24.8)	1.09 (27.7)	1.356 (34.4)	1.48 (37.6)
28		1.196 (30.4)	1.26 (32.0)	1.636 (41.6)	1.72 (43.7)
32		1.246 (31.6)	1.30 (33.0)	1.766 (44.9)	1.81 (46.0)
36		1.296 (32.9)	1.35 (34.3)	1.876 (47.7)	1.92 (48.8)
40		1.336 (33.9)	1.39 (35.3)	1.986 (50.4)	2.03 (51.6)
44		1.396 (35.5)	1.44 (36.6)	2.106 (53.5)	2.16 (54.9)
48		1.446 (36.7)	1.49 (37.8)	2.236 (56.8)	2.28 (57.9)
61		1.156 (29.4)	1.21 (30.7)	1.546 (39.3)	1.57 (39.9)

TABLE IV: CABLE ENTRY

Dash No.	K I.D.	L Dia Max	M		Shrink Boot Option T1*	Shrink Boot Option T2**	Tinel-Lock® Ring Entry Size
			+ .008	(.2)			
04	.250 (6.4)	.375 (9.5)	.044	(1.1)	770-001S103W1	770-001S203W1	04
05	.312 (7.9)	.437 (11.1)	.044	(1.1)	770-001S104W1	770-001S204W1	05
06	.375 (9.5)	.500 (12.7)	.044	(1.1)	770-001S104W1	770-001S204W1	06
07	.437 (11.1)	.562 (14.3)	.044	(1.1)	770-001S105W1	770-001S205W1	07
08	.500 (12.7)	.625 (15.9)	.044	(1.1)	770-001S105W1	770-001S205W1	08
10	.625 (15.9)	.750 (19.1)	.044	(1.1)	770-001S106W1	770-001S206W1	10
12	.750 (19.1)	.875 (22.2)	.044	(1.1)	770-001S107W1	770-001S206W1	12
14	.875 (22.2)	1.000 (25.4)	.069	(1.8)	770-001S107W1	770-001S207W1	14
16	1.000 (25.4)	1.125 (28.6)	.069	(1.8)	770-001S107W1	770-001S207W1	16
18	1.125 (28.6)	1.250 (31.8)	.069	(1.8)	770-001S108W1	770-001S208W1	18
20	1.250 (31.8)	1.375 (34.9)	.069	(1.8)	770-001S108W1	770-001S208W1	20

\*T1 Option: Glenair shrink boot supplied with W1 high temperature hot melt adhesive.  
\*\*T2 Option: **This is a halogen-free system.** Glenair shrink boot supplied with W1 high temperature hot melt adhesive.

- When maximum cable entry (page 21) is exceeded, Style 2 will be supplied.  
Dimensions E, F, G, and H will not apply. Please consult factory.
- Metric dimensions (mm) are indicated in parentheses.
- Interface O-Ring not supplied with Connector Designator A.
- Consult factory for shorter lengths on straight backshells.
- See pages 40 for Shrink Boot Reference Information.

TABLE V: TINEL-LOCK® RING

Braid Type	Ring Designator
Single Layer 36 AWG	AI
Single Layer 34 AWG	AI
Single Layer 32 AWG	BI
Single Layer 30 AWG	BI
Double Layer 36 AWG	BI
Double Layer 34 AWG	BI
Double Layer 32 AWG	CI