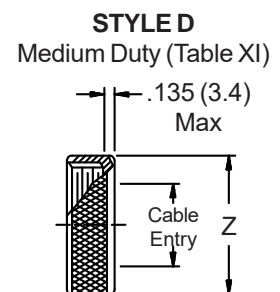
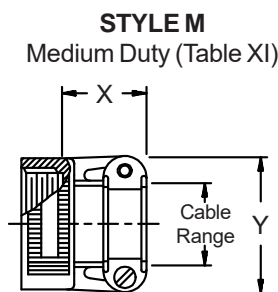
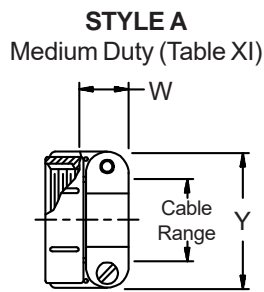
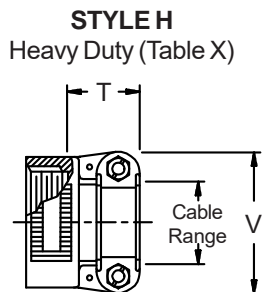
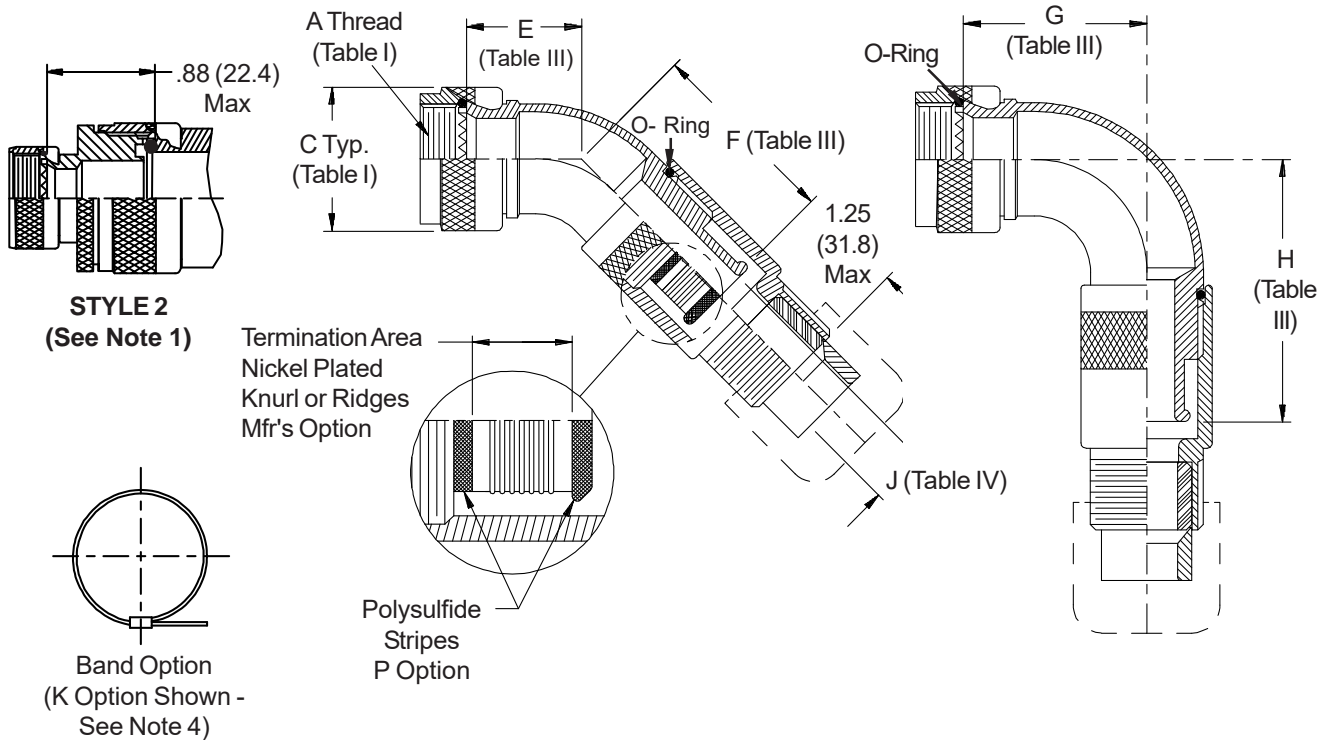
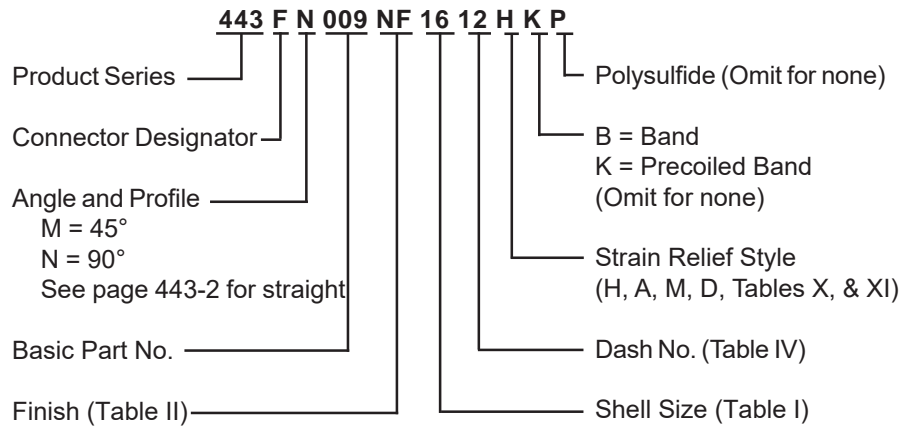


**CONNECTOR DESIGNATORS**  
**A-F-H-L-S**  
**ROTATABLE COUPLING**



**Submersible EMI/RFI Cable Sealing Backshell**  
**Band-in-a-Can with Strain-Relief**  
**Direct Coupling - Full Radius Profile**



See inside back cover fold-out or pages 13 and 14 for Tables I and II.

TABLE III: ELBOW DIMENSIONS

Shell Size		E Max	F Max	G Max	H Max
Conn. Desig. A-F-L-S	H				
08	09	.817 (20.8)	1.057 (26.8)	1.125 (28.6)	1.375 (34.9)
10	11	.861 (21.9)	1.111 (28.2)	1.250 (31.8)	1.500 (38.1)
12	13	.911 (23.1)	1.161 (29.5)	1.375 (34.9)	1.625 (41.3)
14	15	.965 (24.5)	1.215 (30.9)	1.500 (38.1)	1.750 (44.5)
16	17	1.014 (25.8)	1.264 (32.1)	1.625 (41.3)	1.875 (47.6)
18	19	1.064 (27.0)	1.314 (33.4)	1.750 (44.5)	2.000 (50.8)
20	21	1.118 (28.4)	1.368 (34.7)	1.875 (47.6)	2.125 (54.0)
22	23	1.172 (29.8)	1.422 (36.1)	2.000 (50.8)	2.250 (57.2)
24	25	1.221 (31.0)	1.471 (37.4)	2.125 (54.0)	2.375 (60.3)

TABLE IV: CABLE ENTRY

Dash No.	Clamp Size	J Dia	
02	03	.125	(3.2)
03	03	.188	(4.8)
04	03	.250	(6.4)
05	04	.312	(7.9)
06	06	.375	(9.5)
07	06	.438	(11.1)
08	08	.500	(12.7)
09	10	.562	(14.3)
10	10	.625	(15.9)
11	12	.688	(17.5)
12	12	.750	(19.1)
13	16	.812	(20.6)
14	16	.875	(22.2)
15	16	.938	(23.8)
16	20	1.000	(25.4)
17	20	1.062	(27.0)
18	20	1.125	(28.6)
20	20	1.250	(31.8)
22	24	1.375	(34.9)
24	28	1.500	(38.1)

TABLE X: CABLE ENTRY

Clamp Size	T Max	V Max	Cable Range	
			Min	Max
04	.780 (19.8)	.957 (24.3)	.125 (3.2)	.312 (7.9)
06	.780 (19.8)	1.145 (29.1)	.250 (6.4)	.437 (11.1)
08	.780 (19.8)	1.332 (33.8)	.387 (9.8)	.562 (14.3)
10	.780 (19.8)	1.332 (33.8)	.350 (8.9)	.625 (15.9)
12	.811 (20.6)	1.551 (39.4)	.500 (12.7)	.750 (19.1)
16	.905 (23.0)	1.770 (45.0)	.625 (15.9)	.937 (23.8)
20	1.092 (27.7)	2.113 (53.7)	.875 (22.2)	1.250 (31.8)
24	1.124 (28.5)	2.363 (60.0)	1.000 (25.4)	1.375 (34.9)
28	1.399 (35.5)	2.770 (70.4)	1.250 (31.8)	1.625 (41.3)

TABLE XI: CABLE ENTRY

Clamp Size	W Max	X Max	Y Max	Z Max	Cable Range	
					Min **	Max
03*.437 (11.1)	.760 (19.3)	.843 (21.4)	.630 (16.0)	.156 (4.0)	.250 (6.4)	
04*.437 (11.1)	.760 (19.3)	.906 (23.0)	.755 (19.2)	.188 (4.8)	.312 (7.9)	
06*.500 (12.7)	.760 (19.3)	1.093 (27.8)	.942 (23.9)	.281 (7.1)	.438 (11.1)	
08.563 (14.3)	.760 (19.3)	1.187 (30.1)	1.067 (27.1)	.387 (9.8)	.562 (14.3)	
10.563 (14.3)	.760 (19.3)	1.281 (32.5)	1.192 (30.3)	.375 (9.5)	.625 (15.9)	
12.563 (14.3)	.760 (19.3)	1.500 (38.1)	1.380 (35.1)	.438 (11.1)	.750 (19.1)	
16.656 (16.7)	1.073 (27.3)	1.719 (43.7)	1.535 (39.0)	.625 (15.9)	.938 (23.8)	
20.656 (16.7)	1.323 (33.6)	2.062 (52.4)	1.848 (46.9)	.875 (22.2)	1.250 (31.8)	
24.656 (16.7)	1.323 (33.6)	2.312 (58.7)	2.255 (57.3)	1.000 (25.4)	1.375 (34.9)	
28.188 (30.2)	1.572 (39.9)	2.719 (69.1)	2.505 (63.6)	1.250 (31.8)	1.625 (41.3)	

\* Not available in Style M clamp.      \*\* Not Applicable Style D

1. When maximum cable entry (page 21) is exceeded, Style 2 will be supplied. Dimensions E, F, G, and H will not apply. Please consult factory.
2. Metric dimensions (mm) are indicated in parentheses.
3. O-Ring not supplied with Connector Designator A.
4. Backshells supplied with 600-052-\* band, see Glenair Series 600 Tool Catalog for installation.