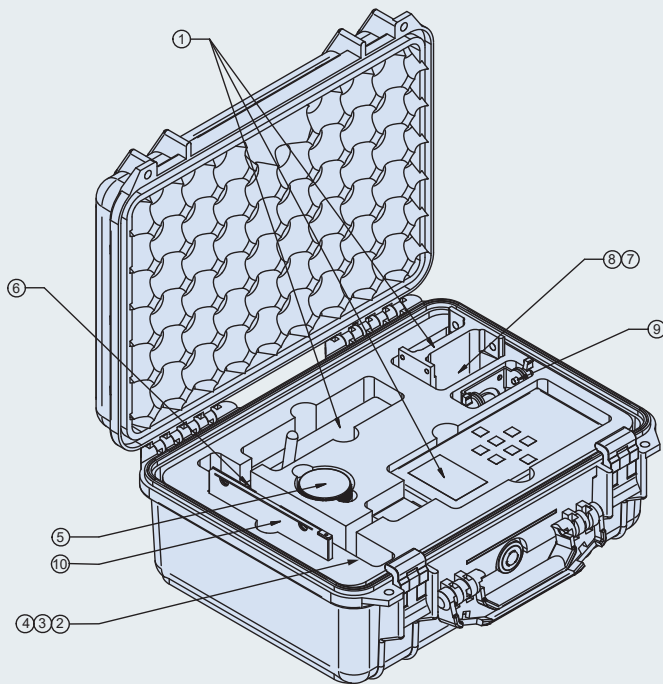




Calibration Kits and Accessories

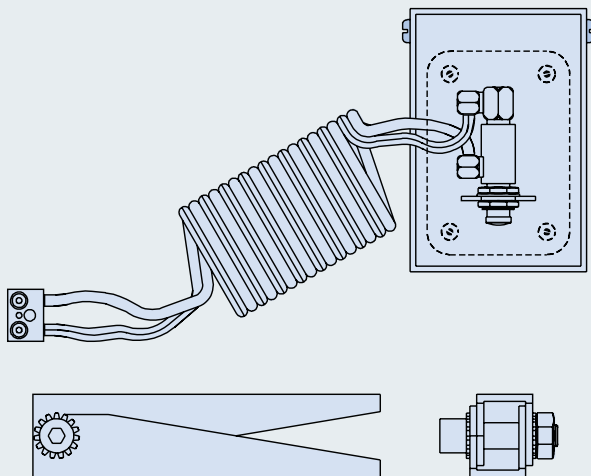


601-200 Calibration Kit For All Banding Tools

The 601-200 Calibration Kit includes:

1. 601-200-3 calibration device,
2. Fifty 601-203 Micro test bands,
3. Fifty 601-202 Standard test bands,
4. Fifty 601-217 Nano test bands,
5. 601-205 Calibration adjustment key,
6. 601-218 Tool adapter for 600-058
7. 601-219 Tool adapter for 600-067, 601-104
8. 601-220 Tool adapter for 601-101, 601-107, 601-122, and 601-123
9. 601-226 Tool adapter for 601-108 and 601-118

Range of the calibration device is 0 to 500 lbs, and accuracy is calibrated to ± 1 lbs. at factory. Digital readout in .1 lb. increments. Meter supplied with RS-232 serial communication port. Serial/USB adapter cable included.



601-400 Foot Pedal Control for 601-106, 601-107, 601-110 and 601-118 Pneumatic Banding Tools

The 601-400 Foot Pedal Control frees both hands to help assure more accurate, reliable and faster shield terminations.