

ArmorLite™ mesh tape: flexible, lightweight woven solution for spot EMI coverage and repairs



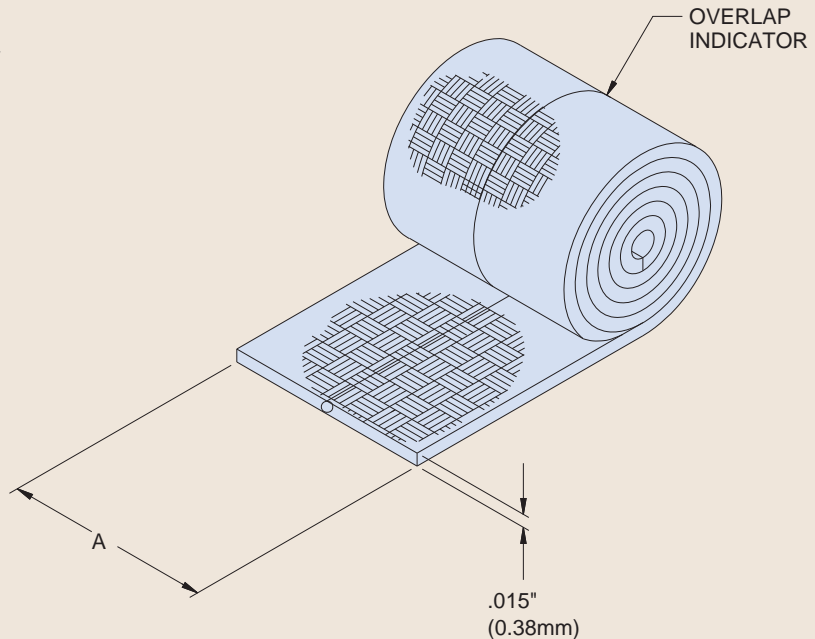
103-058 ArmorLite™ mesh tape (non-adhesive)

103-058 ARMORLITE LIGHTWEIGHT SHIELDING TAPE FOR 360° EMI SPOT COVERAGE AND REPAIR



How To Order		
Sample Part Number	103-058	-1
Basic No.	ArmorLite™ tape	
Dash No.	1 = .50" wide tape 2 = 1.00" wide tape 3 = 1.50" wide tape (see Table I for specifications)	

Table I				
Dash No.	Nominal Width 'A' Dim.	Approx. Weight (grams/ft.)	Milliohms per meter ref.	Minimum pull strength (lbs) ref.
-1	.50" (12.7mm)	2.1	99.8	39
-2	1.00" (25.4mm)	4.0	52.2	75
-3	1.50" (38.1mm)	6.1	TBD	120



NOTES

- Order in 1 foot increments. Standard packaging on spools in 50 ft. lengths. Orders of 1–49 ft. will be packaged in individual polybags.

Material:

Woven mesh - ArmorLite™ microfilament (nickel clad 316L stainless steel); Overlap tracer - high temperature DuPont™ Nomex® thread; Monofilament - PEEK

DuPont™ and Nomex® are trademarks or registered trademarks of E.I. duPont de Nemours and Company.