

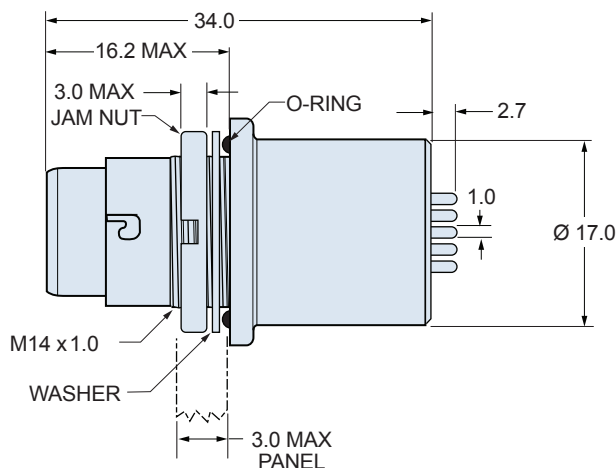
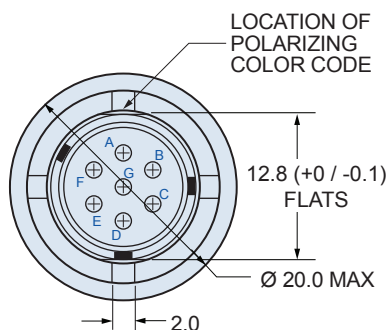
7 Pin Filter Jam Nut Receptacle for Rear Panel Mounting



Eliminate unwanted high frequency electrical interference with European standard filtered CB07 connector. Stainless steel body and jam nut, with black chrome finish. Mates to standard CB07 plug connectors. Printed circuit board contacts are gold plated. Watertight when unmated, CB07 filtered connectors offer 5000 cycles of mating and meet harsh environment requirements.

7 Pin Filter Receptacle

Polarizing Position 1 (White)	Polarizing Position 2 (Yellow)	Polarizing Position 3 (Green)	Polarizing Position 4 (Pink)
CB07C1L1F	CB07C2L1F	CB07C3L1F	CB07C4L1F

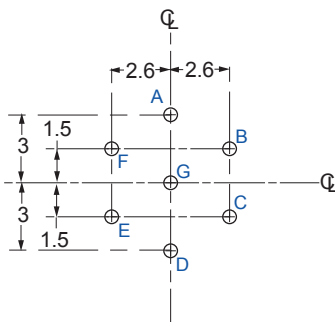


Panel cutouts and printed circuit board mounting patterns are shown on page 13.

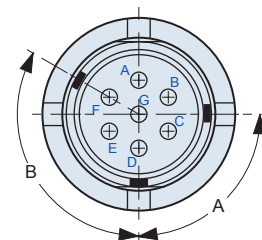
SPECIFICATIONS

Capacitance	3000 pF at 25°C, 1 KHz, 1Vrms
Voltage (DWV)	50 VDC maximum
Current	2.5 Amps maximum
Insulation Resistance	5000 megohms minimum
Shell	Stainless steel w/ black chrome
Jam Nut	Stainless steel w/ black chrome
O-Ring, Face Seal	Silicone
Contact	Copper alloy, gold plated
Water Immersion	MIL-STD-810 Method 512.1 meter
Ingress Protection	IP68
Mating Cycles	5000 Cycles minimum

Printed Circuit Board Pattern



Connector Mating Face and Key Positions



Position	A	B	Color Code
1	90°	120°	White
2	105°	130°	Yellow
3	110°	135°	Green
4	100°	165°	Pink

All dimensions in millimeters (mm). Information subject to change without notice.

CAGE Code 06324

Printed in U.S.A.