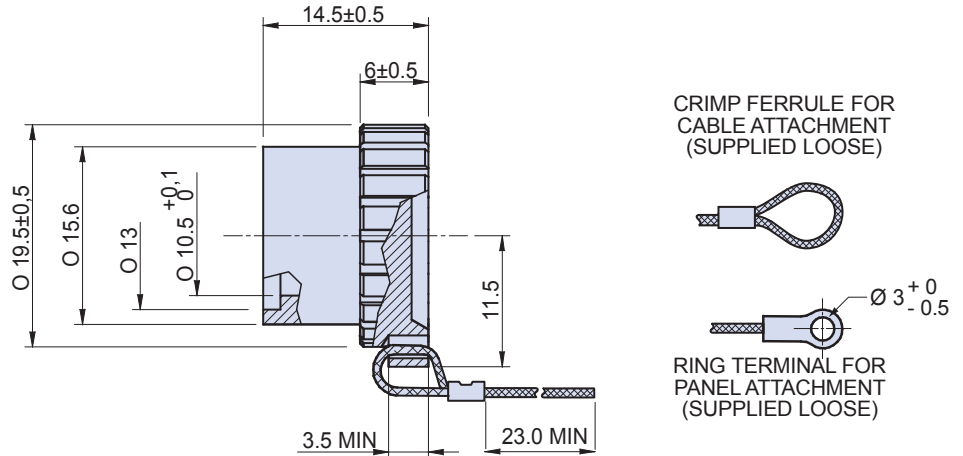


Rubber Protective Cover for CB Series Receptacles



Black nitrile rubber cover fits all CB Series receptacles including shrouded versions. Tight friction fit prevents water ingress to unmated connector. Supplied with nylon rope, ring terminal and ferrule. Terminal and ferrule are supplied unassembled. Attach to panel with ring terminal, or attach to cable with crimp ferrule. Use standard crimp tools for installation. Maximum weight 5 grams.

Part Number
VG96934Z4



Protective Cover for CB Series Plugs



Watertight aluminum alloy cover protects CB Series plugs from damage when unmated. Black zinc plated. O-ring holds cover in place. Supplied with nylon rope, with ring terminal or loop. Attach with ring terminal, or attach to cable with loop. Maximum weight 7 grams.

Figure	Configuration	Part Number
1	25 mm Loop	CBA10Z6
2	Ring Terminal	CBA10Z3

