

Swing-Arm® Clamps

for AS50151 Crimp, M26482 Series II, M83723 Series III, AS95234

870A005 Swing-Arm Saddle Clamp, EMI Banding Adapter, Aluminum/SST

Self-Locking



Adapter Code **A**

AS50151 crimp, AS95234, MIL-DTL-26482 Ser. II, MIL-DTL-83723 Ser. III

TABLE 1 MATERIAL / FINISH

Aluminum	
M	Electroless nickel
MT	Nickel-PTFE
NF	Olive drab cadmium
NFS	Olive drab cadmium, selective (fig. 1)
TZ	Tin-zinc
ZR	Black zinc-nickel
Stainless Steel, Passivated	
BM	Brass interfW ring, nickel plated
BMT	Brass interface ring, nickel-PTFE plated
ZI	SST interface ring, passivated
ZM	SST interface ring, nickel plated

Shielded, self-locking, adjustable arms. 870A005 aluminum or stainless steel Swing-Arm saddle clamp fits AS50151 crimp, AS95234, MIL-DTL-26482 Series II, and MIL-DTL-83723 Series III connectors. Adjustable arms pivot to 0°, 45° or 90° positions. Banding adapter has optional "T" slots for pigtailed individual shields. Terminate shield braid to adapter with optional Band-Master ATS® pre-coiled banding strap. Full radius saddles with self-locking clinch nuts. Available in two clamp sizes: standard clamp fits most wire bundles, large clamp has increased clearance for oversize wire bundles. Coupling nut has anti-decoupling mechanism for audible detented coupling and prevents backoff under high vibration.

PART NUMBER

870A005	M	22	A	S	K
Base P/N	870A005				
Material/Finish	See Table 1				
Shell Size	08 10 12 14 16 18 20 22 24				
Clamp Size	A Standard Clamp B Large Clamp				
Banding Adapter Slots	Omit if not required. See Figure 2. S "T" Slots in Banding Adapter for Shield Pigtailed				
Band	Omit if not required. K Pre-Coiled Micro Band included With Clamp J Pre-Coiled Slim Micro Band included With Clamp				

FIGURE 1

MATERIAL / FINISH CODE **NFS**

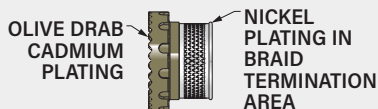
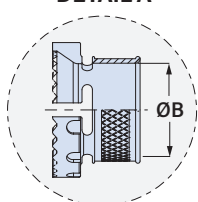


FIGURE 2

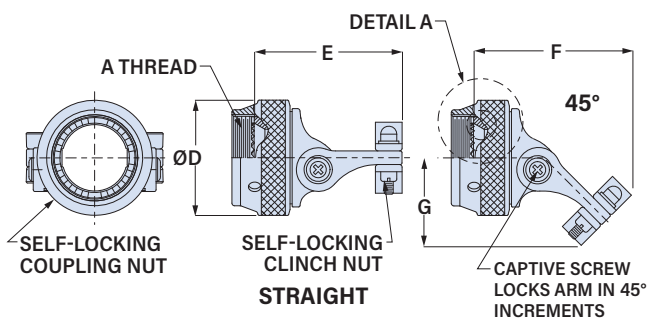
BANDING ADAPTER SLOTS



DETAIL A



BANDING ADAPTER WITH OPTIONAL T-SLOTS

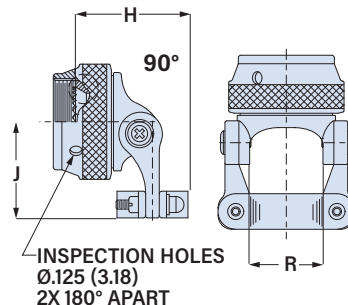


SELF-LOCKING COUPLING NUT

SELF-LOCKING CLINCH NUT

STRAIGHT

CAPTIVE SCREW LOCKS ARM IN 45° INCREMENTS



INSPECTION HOLES Ø.125 (3.18) 2X 180° APART

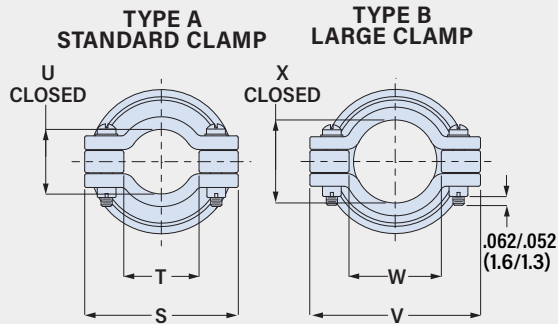
Shell Size	A Thread Class 2B	ø B Min in	mm	D Max in	mm	E Max in	mm	F Max in	mm	G Max in	mm	H Max in	mm	J Max in	mm	R Ref. in	mm
08	0.500-20 UNF	.178	4.5	.812	20.6	1.55	39.4	1.45	36.8	.77	19.6	.98	24.9	.87	22.1	.393	10.0
10	0.625-24 UNEF	.305	7.8	.938	23.8	1.61	40.9	1.56	39.6	.87	22.1	1.05	26.7	.96	24.4	.455	11.6
12	0.750-20 UNEF	.404	10.3	1.125	28.6	1.66	42.2	1.71	43.4	.97	24.6	1.22	31.0	1.03	26.2	.598	15.2
14	0.875-20 UNEF	.565	14.4	1.250	31.8	1.67	42.4	1.79	45.5	1.02	25.9	1.32	33.5	1.10	27.9	.710	18.0
16	1.000-20 UNEF	.658	16.7	1.375	34.9	1.77	45.0	1.88	47.8	1.08	27.4	1.38	35.1	1.16	29.5	.839	21.3
18	1.0625-18 UNEF	.748	19.0	1.500	38.1	1.77	45.0	1.96	49.8	1.13	28.7	1.49	37.8	1.22	31.0	.934	23.7
20	1.1875-18 UNEF	.877	22.3	1.625	41.3	1.92	48.8	2.13	54.1	1.24	31.5	1.61	40.9	1.29	32.8	1.068	27.1
22	1.3125-18 UNEF	.999	25.4	1.750	44.5	1.95	49.5	2.20	55.9	1.30	33.0	1.68	42.7	1.36	34.5	1.197	30.4
24	1.4375-18 UNEF	1.127	28.6	1.875	47.6	2.10	53.3	2.31	58.7	1.39	35.3	1.75	44.5	1.55	39.4	1.323	33.6

Swing-Arm® Clamps

for AS50151 Crimp, M26482 Series II, M83723 Series III, AS95234

870A005 Swing-Arm Saddle Clamp, EMI Banding Adapter, Aluminum/SST

CLAMP DIMENSIONS



Standard Clamp						Large Clamp							
Shell Size	S Max in	S Max mm	T Min in	T Min mm	U Ref. in	U Ref. mm	Shell Size	V Max in	V Max mm	W Min in	W Min mm	X Ref. in	X Ref. mm
08	.97	24.6	.22	5.6	.264	6.7	08	.98	24.9	.33	8.4	.356	9.0
10	1.03	26.2	.29	7.4	.310	7.9	10	1.20	30.5	.45	11.4	.422	10.7
12	1.21	30.7	.34	8.6	.422	10.7	12	1.45	36.8	.62	15.7	.637	16.2
14	1.32	33.5	.45	11.4	.538	13.7	14	1.54	39.1	.68	17.3	.707	18.0
16	1.45	36.8	.55	14.0	.590	15.0	16	1.60	40.6	.80	20.3	.759	19.3
18	1.54	39.1	.65	16.5	.660	16.8	18	1.73	43.9	.90	22.9	.841	21.4
20	1.67	42.4	.74	18.8	.744	18.9	20	1.95	49.5	1.05	26.7	.996	25.3
22	1.79	45.5	.87	22.1	.826	21.0	22	2.08	52.8	1.18	30.0	1.060	26.9
24	1.92	48.8	.99	25.1	.896	22.8	24	2.32	58.9	1.30	33.0	1.124	28.5

MATERIAL/FINISH

Aluminum (Codes M, MT, NF, NFS TZ, ZR)
 Coupling nut, body, arms, saddles, interface ring: aluminum
 Screws, washers, inserts: stainless steel/ passivated
 Anti-decoupling springs: thermoplastic
 Clinch nuts: Codes M, MT, TZ and ZR: stainless steel, silver plated. Code NF, NFS: stainless steel/ olive drab cadmium
 Banding adapter: aluminum
 Band (optional): stainless steel/ passivated

Stainless Steel (Codes BM, BMT, Z1, ZM)
 Coupling nut, body, arms, saddles, anti-decoupling springs, screws, washers, inserts: stainless steel, passivated
 Clinch nuts: stainless steel, silver plated
 Banding adapter:
 Code BM: brass/ electroless nickel
 Code BMT: brass/ nickel-PTFE
 Code Z1: stainless steel/ passivated
 Code ZM: stainless steel/ electroless nickel
 Band (optional): stainless steel/ passivated

BAND INFORMATION

Terminate cable braid to band adapter with optional pre-coiled banding strap. Glenair's Band-Master ATS® banding system provides quick, easy, cost-effective and highly reliable termination. Band is passivated stainless steel.



Shell Size	Pre-Coiled Micro Band Part No.	Pre-Coiled Slim Micro Band Part No.	Length		Max Diameter	
			in	mm	in	mm
8 - 12	601-061	601-601	8.125	206	.88	22.4
14 - 28	601-065	601-603	14.25	362	1.88	47.8