

Swing-Arm® Clamps

for MIL-DTL-38999 Series I and II Connectors

870F005 Swing-Arm Saddle Clamp, EMI Banding Adapter, Aluminum/SST

Self-Locking



Adapter Code F

This accessory fits these connectors:
MIL-DTL-38999 Series I and Series II

TABLE 1 MATERIAL / FINISH

Aluminum	
M	Electroless nickel
MT	Nickel-PTFE
NF	Olive drab cadmium
NFS	Olive drab cadmium, selective (fig. 1)
TZ	Tin-zinc
ZR	Black zinc-nickel
Stainless Steel, Passivated	
BM	Brass interface ring, nickel plated
BMT	Brass interface ring, nickel-PTFE plated
ZI	SST interface ring, passivated
ZM	SST interface ring, nickel plated

Shielded, self-locking, adjustable arms. 870F005 aluminum or stainless steel Swing-Arm saddle clamp fits MIL-DTL-38999 Series I and II connectors. Adjustable arms pivot to 0°, 45° or 90° positions. Banding adapter has optional "T" slots for pigtailed individual shields. Terminate shield braid to adapter with optional Band-Master ATS® pre-coiled banding strap. Full radius saddles with self-locking clinch nuts. Available in two clamp sizes: standard clamp fits most wire bundles, large clamp has increased clearance for oversize wire bundles. Coupling nut has anti-decoupling mechanism for audible detented coupling and prevents backoff under high vibration.

PART NUMBER

870F005	M	22	A	S	K																																				
Base P/N	870F005																																								
Material/Finish	See Table 1																																								
Shell Size	<table border="1"> <thead> <tr> <th></th> <th colspan="5">Shell Size</th> </tr> <tr> <th>38999 Series I</th> <th>9</th> <th>11</th> <th>13</th> <th>15</th> <th>17</th> <th>19</th> <th>21</th> <th>23</th> <th>25</th> </tr> <tr> <th>38999 Series II</th> <th>8</th> <th>10</th> <th>12</th> <th>14</th> <th>16</th> <th>18</th> <th>20</th> <th>22</th> <th>24</th> </tr> <tr> <th>Size Code</th> <th>08</th> <th>10</th> <th>12</th> <th>14</th> <th>16</th> <th>18</th> <th>20</th> <th>22</th> <th>24</th> </tr> </thead> </table>						Shell Size					38999 Series I	9	11	13	15	17	19	21	23	25	38999 Series II	8	10	12	14	16	18	20	22	24	Size Code	08	10	12	14	16	18	20	22	24
	Shell Size																																								
38999 Series I	9	11	13	15	17	19	21	23	25																																
38999 Series II	8	10	12	14	16	18	20	22	24																																
Size Code	08	10	12	14	16	18	20	22	24																																
Clamp Size	A	Standard Clamp																																							
	B	Large Clamp																																							
Banding Adapter Slots	Omit if not required. See Figure 2.																																								
Band	K	Pre-Coiled Micro Band included With Clamp																																							
	J	Pre-Coiled Slim Micro Band included With Clamp																																							

FIGURE 1

MATERIAL / FINISH CODE NFS

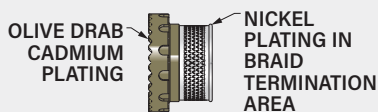
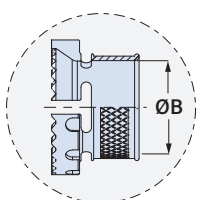


FIGURE 2

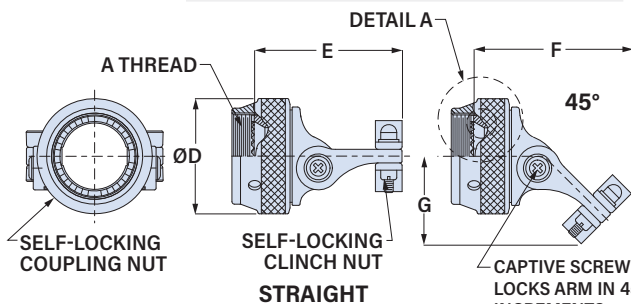
BANDING ADAPTER SLOTS



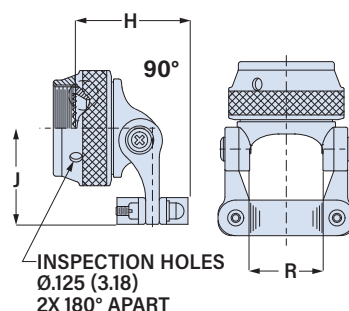
DETAIL A



BANDING ADAPTER WITH OPTIONAL T-SLOTS



SELF-LOCKING CLENCH NUT STRAIGHT



INSPECTION HOLES Ø.125 (3.18) 2X 180° APART

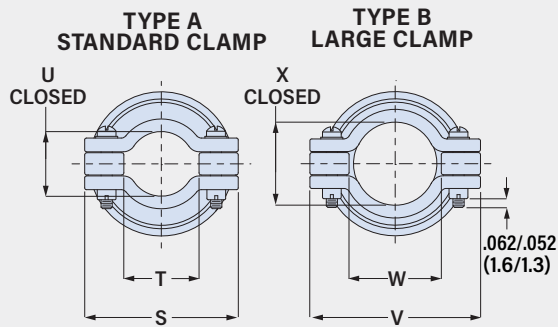
Shell Size	A Thread UNEF-2B	ø B Min in	mm	D Max in	mm	E Max in	mm	F Max in	mm	G Max in	mm	H Max in	mm	J Max in	mm	R Ref. in	mm
8/9	0.4375-28	.178	4.5	.812	20.6	1.55	39.4	1.45	36.8	.77	19.6	.98	24.9	.87	22.1	.393	10.0
10/11	0.5625-24	.305	7.7	.938	23.8	1.61	40.9	1.56	39.6	.87	22.1	1.05	26.7	.96	24.4	.455	11.6
12/13	0.6875-24	.404	10.3	1.125	28.6	1.66	42.2	1.71	43.4	.97	24.6	1.22	31.0	1.03	26.2	.598	15.2
14/15	0.8125-20	.526	13.4	1.250	31.8	1.67	42.4	1.79	45.5	1.02	25.9	1.32	33.5	1.10	27.9	.710	18.0
16/17	0.9375-20	.631	16.0	1.375	34.9	1.77	45.0	1.88	47.8	1.08	27.4	1.38	35.1	1.16	29.5	.839	21.3
18/19	1.0625-18	.748	19.0	1.500	38.1	1.77	45.0	1.96	49.8	1.13	28.7	1.49	37.8	1.22	31.0	.934	23.7
20/21	1.1875-18	.877	22.3	1.625	41.3	1.92	48.8	2.13	54.1	1.24	31.5	1.61	40.9	1.29	32.8	1.068	27.1
22/23	1.3125-18	.999	25.4	1.750	44.5	1.95	49.5	2.20	55.9	1.30	33.0	1.68	42.7	1.36	34.5	1.197	30.4
24/25	1.4375-18	1.127	28.6	1.875	47.6	2.10	53.3	2.31	58.7	1.39	35.3	1.75	44.5	1.55	39.4	1.323	33.6

Swing-Arm® Clamps

for MIL-DTL-38999 Series I and II Connectors

870F005 Swing-Arm Saddle Clamp, EMI Banding Adapter, Aluminum/SST

CLAMP DIMENSIONS



Standard Clamp						Large Clamp							
Shell Size	S Max	T Min	U Ref.		Shell Size	V Max	W Min	X Ref.					
	in	mm	in	mm		in	mm	in	mm				
08	.97	24.6	.22	5.6	.264	6.7	08	.98	24.9	.33	8.4	.356	9.0
10	1.03	26.2	.29	7.4	.310	7.9	10	1.20	30.5	.45	11.4	.422	10.7
12	1.21	30.7	.34	8.6	.422	10.7	12	1.45	36.8	.62	15.7	.637	16.2
14	1.32	33.5	.45	11.4	.538	13.7	14	1.54	39.1	.68	17.3	.707	18.0
16	1.45	36.8	.55	14.0	.590	15.0	16	1.60	40.6	.80	20.3	.759	19.3
18	1.54	39.1	.65	16.5	.660	16.8	18	1.73	43.9	.90	22.9	.841	21.4
20	1.67	42.4	.74	18.8	.744	18.9	20	1.95	49.5	1.05	26.7	.996	25.3
22	1.79	45.5	.87	22.1	.826	21.0	22	2.08	52.8	1.18	30.0	1.060	26.9
24	1.92	48.8	.99	25.1	.896	22.8	24	2.32	58.9	1.30	33.0	1.124	28.5

MATERIAL/FINISH

Aluminum (Codes M, MT, NF, NFS TZ, ZR)

Coupling nut, body, arms, saddles: aluminum
Screws, washers, inserts: stainless steel/
passivated

Anti-decoupling springs: thermoplastic

Clinch nuts: Codes M, MT, TZ and ZR:

stainless steel, silver plated. Code NF, NFS:
stainless steel/ olive drab cadmium

Banding adapter: aluminum

Band (optional): stainless steel/ passivated

Stainless Steel (Codes BM, BMT, Z1, ZM)

Coupling nut, body, arms, saddles, anti-
decoupling springs, screws, washers,
inserts: stainless steel, passivated

Clinch nuts: stainless steel, silver plated

Banding adapter:

Code BM: brass/ electroless nickel

Code BMT: brass/ nickel-PTFE

Code Z1: stainless steel/ passivated

Code ZM: stainless steel/ electroless nickel

Band (optional): stainless steel/ passivated

BAND INFORMATION

Terminate cable braid to band
adapter with optional pre-coiled
banding strap. Glenair's Band-Master
ATS® banding system provides
quick, easy, cost-effective and
highly reliable termination. Band
is passivated stainless steel.



Shell Size	Pre-Coiled Micro Band Part No.	Pre-Coiled Slim Micro Band Part No.	Length		Max Diameter	
			in	mm	in	mm
8 - 12	601-061	601-601	8.125	206	.88	22.4
14 - 24	601-065	601-603	14.25	362	1.88	47.8