



Swing-Arm® Clamps

for MIL-DTL-38999 Series III and IV Connectors

870H003 Swing-Arm Saddle Clamp, Braid Sock, SST/Aluminum

Self-Locking



Adapter Code H

This accessory fits these connectors:
MIL-DTL-38999 Series III and Series IV

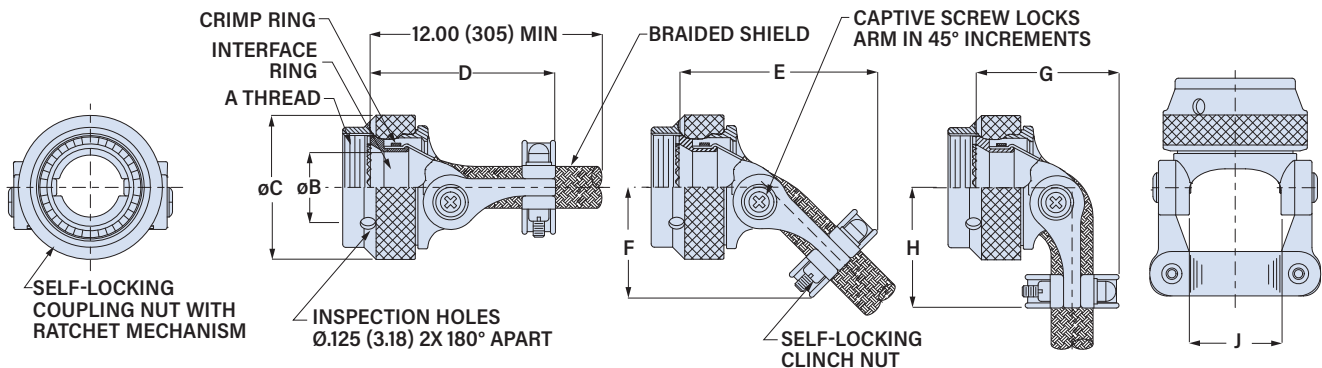
TABLE 1 MATERIAL / FINISH

Aluminum	
M	Electroless nickel
NF	Olive drab cadmium, selective (fig. 1)
MT	Nickel-PTFE
TZ	Tin-zinc
ZR	Black zinc-nickel
Stainless Steel, Passivated	
BM	Brass interface ring, nickel plated
BMT	Brass interface ring, nickel-PTFE plated
ZI	SST interface ring, passivated
ZM	SST interface ring, nickel plated

Shielded, self-locking, adjustable arms. 870H003 stainless steel or aluminum Swing-Arm saddle clamp fits MIL-DTL-38999 Series III and IV connectors. Adjustable arms pivot to 0°, 45° or 90° positions. Supplied with 12 inches (305 mm) of shield braid attached to metal interface ring. Braid choices include 34 AWG nickel/copper, 34 AWG tin/copper, ultralightweight AmberStrand® or microfilament nickel/SST Armorlite®. Full radius saddles have self-locking clinch nuts. Available in two clamp sizes: standard clamp fits most wire bundles, large clamp has increased clearance for oversize wire bundles. Coupling nut has anti-decoupling mechanism for audible detented coupling and prevents backoff under high vibration.

PART NUMBER

870H003	M	15	B	L	K	14				
Base P/N	870H003									
Material/Finish	See Table 1									
Shell Size	Shell Size	9	11	13	15	17	19	21	23	25
	Size Code	09	11	13	15	17	19	21	23	25
Clamp Size	See Clamp Dimensions on next page									
	A	Standard Clamp								
	B	Large Clamp								
Braid Type	N	34 AWG Nickel/Copper Braid								
	T	34 AWG Tin/Copper Braid								
	A	AmberStrand® Nickel/Composite Braid								
	L	Microfilament ArmorLite® Nickel/SST Braid								
Splice Ring and Band	Omit if not required. See "Splice Ring and Band" on next page.									
	K	Splice ring and standard band								
	J	Splice ring and slim standard band								
Braid Length	Omit for standard 12 inch length									
	14	Length in 1 inch increments, 6 inch min "14" = 14 inches.								



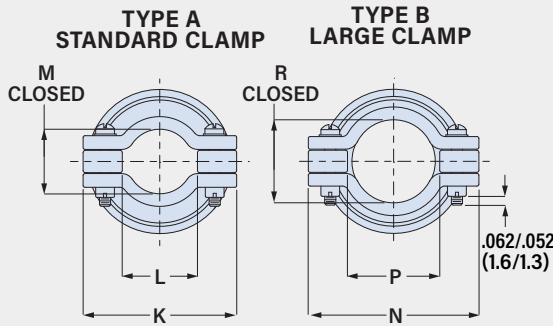
Shell Size	A Thread	ø B Min in	mm	ø C Max in	mm	D Max in	mm	E Max in	mm	F Max in	mm	G Max in	mm	H Max in	mm	J Ref. in	mm
9 (A)	M12X1.0-6H	.264	6.7	.812	20.6	1.50	38.1	1.43	36.3	.76	19.3	.95	24.1	.84	21.3	.393	10.0
11 (B)	M15X1.0-6H	.390	9.9	.938	23.8	1.54	39.1	1.49	37.8	.82	20.8	.99	25.1	.90	22.9	.455	11.6
13 (C)	M18X1.0-6H	.504	12.8	1.125	28.6	1.62	41.1	1.64	41.7	.92	23.4	1.14	29.0	1.00	25.4	.598	15.2
15 (D)	M22X1.0-6H	.630	16.0	1.250	31.8	1.63	41.4	1.73	43.9	.98	24.9	1.24	31.5	1.07	27.2	.710	18.0
17 (E)	M25X1.0-6H	.756	19.2	1.375	34.9	1.73	43.9	1.86	47.2	1.08	27.4	1.36	34.5	1.13	28.7	.839	21.3
19 (F)	M28X1.0-6H	.843	21.4	1.500	38.1	1.73	43.9	1.93	49.0	1.12	28.4	1.46	37.1	1.20	30.5	.934	23.7
21 (G)	M31X1.0-6H	.969	24.6	1.625	41.3	1.88	47.8	2.08	52.8	1.21	30.7	1.55	39.4	1.26	32.0	1.068	27.1
23 (H)	M34X1.0-6H	1.091	27.7	1.750	44.5	1.91	48.5	2.15	54.6	1.27	32.3	1.63	41.4	1.33	33.8	1.197	30.4
25 (J)	M37X1.0-6H	1.217	30.9	1.875	47.6	1.94	49.3	2.23	56.6	1.33	33.8	1.70	43.2	1.40	35.6	1.323	33.6

Swing-Arm® Clamps

for MIL-DTL-38999 Series III and IV Connectors

870H003 Swing-Arm Saddle Clamp, Braid Sock, SST/Aluminum

CLAMP DIMENSIONS



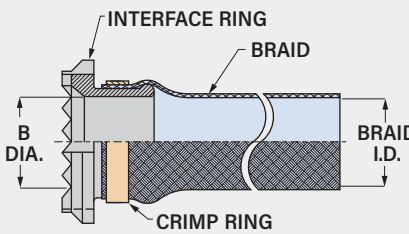
Shell Size	K Max		L Min		M Ref.	
	in	mm	in	mm	in	mm
9 (A)	.98	24.9	.22	5.6	.265	6.7
11 (B)	1.05	26.7	.27	6.9	.310	7.9
13 (C)	1.20	30.5	.35	8.9	.422	10.7
15 (D)	1.30	33.0	.47	11.9	.538	13.7
17 (E)	1.44	36.6	.55	14.0	.590	15.0
19 (F)	1.56	39.6	.62	15.7	.660	16.8
21 (G)	1.69	42.9	.70	17.8	.744	18.9
23 (H)	1.77	45.0	.78	19.8	.826	21.0
25 (J)	1.89	48.0	.85	21.6	.896	22.8

Shell Size	N Max		P Min		R Ref.	
	in	mm	in	mm	in	mm
9 (A)	.98	24.9	.33	8.4	.356	9.0
11 (B)	1.20	30.5	.45	11.4	.422	10.7
13 (C)	1.45	36.8	.62	15.7	.637	16.2
15 (D)	1.54	39.1	.68	17.3	.707	18.0
17 (E)	1.60	40.6	.80	20.3	.759	19.3
19 (F)	1.73	43.9	.90	22.9	.841	21.4
21 (G)	1.95	49.5	1.05	26.7	.996	25.3
23 (H)	2.08	52.8	1.18	30.0	1.060	26.9
25 (J)	2.32	58.9	1.30	33.0	1.124	28.5

MATERIAL/FINISH

- Aluminum (Codes M, MT, NF, TZ, ZR)**
Coupling nut, body, arms, saddles, interface ring: aluminum
Crimp Ring: copper alloy/ tin plated
Screws, washers, inserts: stainless steel/ passivated
Anti-decoupling spring: thermoplastic
Clinch nuts: Codes M, MT, TZ and ZR: stainless steel, silver plated. Code NF: stainless steel/ olive drab cadmium
- Stainless Steel (Codes BM, BMT, Z1, ZM)**
Coupling nut, body, arms, saddles, anti-decoupling springs, screws, washers, inserts: stainless steel, passivated
Crimp Ring: copper alloy/ tin plated
Clinch nuts: stainless steel, silver plated
interface ring: brass (codes BM, BMT) or stainless steel (Z1, ZM)
- Braid:**
Code N: 34 AWG nickel-coated copper
Code T: 34 AWG tin-coated copper,
Code A: *AmberStrand*® ultralightweight nickel-coated polymer
Code L: *ArmorLite*® lightweight microfilament nickel-coated 316L stainless steel

INTERFACE RING AND BRAID



Shell Size	ø B Min		Braid I.D.	
	in	mm	in	mm
9 (A)	.264	6.7	.375	9.5
11 (B)	.390	9.9	.375	9.5
13 (C)	.504	12.8	.500	12.7
15 (D)	.630	16.0	.500	12.7
17 (E)	.756	19.2	.781	19.8
19 (F)	.843	21.4	.781	19.8
21 (G)	.969	24.6	1.000	25.4
23 (H)	1.091	27.7	1.000	25.4
25 (J)	1.217	30.9	1.250	31.8

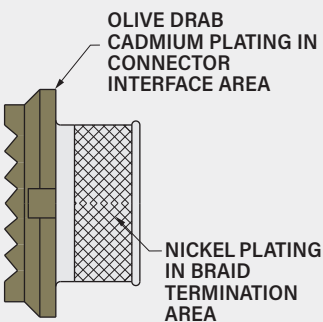
SPLICE RING AND PRE-COILED BAND (K AND J OPTIONS)

Optional splice ring provides a reliable, low resistance method of splicing Swing-Arm braid sock to wire bundle braid. Snap splice ring over wire bundle, then overlap braid sock, pigtails and cable braid. Install band around splice ring and braid using Band-Master ATS banding tool. *Slim Standard Band* is 50% lighter weight than standard band with no reduction in strength.



Shell Size	Band Part Number		Split Ring Part Number	øA		øB	
	Standard	Slim Standard		± .03 (0.8) in	± .03 (0.8) mm	± .03 (0.8) in	± .03 (0.8) mm
9 (A)	601-006	601-571	687-207XB04	.25	6.4	.40	10.2
11 (B)	601-006	601-571	687-207XB06	.38	9.7	.53	13.5
13 (C)	601-006	601-571	687-207XB08	.50	12.7	.65	16.5
15 (D)	601-006	601-571	687-207XB10	.63	16.0	.78	19.8
17 (E)	601-006	601-571	687-207XB12	.75	19.1	.90	22.9
19 (F)	601-041	601-573	687-207XB14	.88	22.4	1.03	26.2
21 (G)	601-041	601-573	687-207XB16	1.00	25.4	1.15	29.2
23 (H)	601-041	601-573	687-207XB18	1.13	28.7	1.28	32.5
25 (J)	601-041	601-573	687-207XB20	1.25	31.8	1.40	35.6

FIGURE 1
NF SELECTIVE FINISH



INTERFACE RING