



Swing-Arm® Clamps

for Series 80 Mighty Mouse Connectors

870M003 Swing-Arm Saddle Clamp, Braid Sock, SST/Aluminum

Self-Locking



Shielded, self-locking, adjustable arms. 870M003 stainless steel or aluminum Swing-Arm saddle clamp fits Glenair Series 80 Mighty Mouse connectors. Adjustable arms pivot to 0°, 45° or 90° positions. Supplied with 12 inches (305 mm) of shield braid attached to metal interface ring. Braid choices include 34 AWG nickel/copper, 34 AWG tin/copper, ultralightweight AmberStrand® or microfilament nickel/SST Armorlite®. Full radius saddles have self-locking clinch nuts. Available in two clamp sizes: standard clamp fits most wire bundles, large clamp has increased clearance for oversize wire bundles. Coupling nut has anti-decoupling mechanism for audible detented coupling and prevents backoff under high vibration.

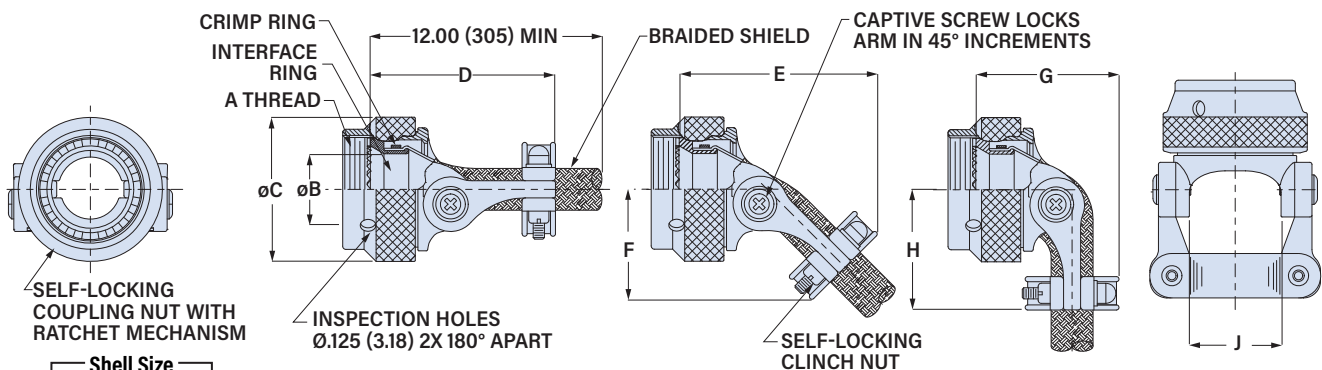
Adapter Code M
This accessory fits Series 80 Mighty Mouse Connectors

TABLE 1 MATERIAL / FINISH

Aluminum	
M	Electroless nickel
NF	Olive drab cadmium, selective (fig. 1)
MT	Nickel-PTFE
TZ	Tin-zinc
ZR	Black zinc-nickel
Stainless Steel, Passivated	
BM	Brass interface ring, nickel plated
BMT	Brass interface ring, nickel-PTFE plated
ZI	SST interface ring, passivated
ZM	SST interface ring, nickel plated

PART NUMBER

870M003	M	12	B	L	K	14
Base P/N	870M003					
Material/Finish	See Table 1					
Shell Size	07 08 09 10 12 13 14 16 17 See table below for size code					
Clamp Size	See Clamp Dimensions on next page A Standard Clamp B Large Clamp					
Braid Type	N 34 AWG Nickel/Copper Braid T 34 AWG Tin/Copper Braid A AmberStrand® Nickel/Composite Braid L Microfilament ArmorLite® Nickel/SST Braid					
Splice Ring and Band	Omit if not required. See "Splice Ring and Band" on next page. K Splice ring and standard band J Splice ring and slim standard band					
Braid Length	Omit for standard 12 inch length 14 Length in 1 inch increments, 6 inch min "14" = 14 inches.					



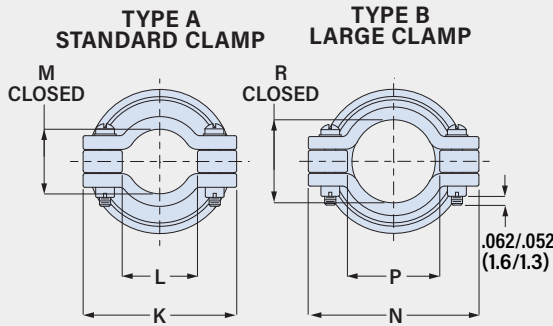
Size Code	Shell Size Series		A Thread	B Min		øC Max		D Max		E Max		F Max		G Max		H Max		J Ref.	
	800, 801, 803, 804	Series 805		in	mm	in	mm	in	mm	in	mm	in	mm	in	mm	in	mm		
07	7	9	0.4375-28	.264	6.7	.812	20.6	1.50	38.1	1.43	36.3	.76	19.3	.95	24.1	.84	21.3	.393	10.0
08	8	10	0.500-28	.264	6.7	.812	20.6	1.50	38.1	1.43	36.3	.76	19.3	.95	24.1	.84	21.3	.393	10.0
09	9	11	0.5625-24	.392	10.0	.938	23.8	1.54	39.1	1.49	37.8	.82	20.8	.99	25.1	.90	22.9	.455	11.6
10	10	12	0.625-24	.392	10.0	.938	23.8	1.54	39.1	1.49	37.8	.82	20.8	.99	25.1	.90	22.9	.455	11.6
12	11, 12, 13	13	0.6875-24	.506	12.9	1.125	28.6	1.62	41.1	1.64	41.7	.92	23.4	1.14	29.0	1.00	25.4	.598	15.2
13	N/A	15	0.750-20	.506	12.9	1.125	28.6	1.62	41.1	1.64	41.7	.92	23.4	1.14	29.0	1.00	25.4	.598	15.2
14	14, 15, 16, 17	18, 19	0.9375-20	.756	19.2	1.375	34.9	1.73	43.9	1.86	47.2	1.08	27.4	1.36	34.5	1.13	28.7	.839	21.3
16	19	21	1.0625-18	.844	21.4	1.500	38.1	1.73	43.9	1.93	49.0	1.12	28.4	1.46	37.1	1.20	30.5	.934	23.7
17	21	23	1.1875-18	.970	24.6	1.625	41.3	1.88	47.8	2.08	52.8	1.21	30.7	1.55	39.4	1.26	32.0	1.068	27.1

Swing-Arm® Clamps

for Series 80 Mighty Mouse Connectors

870M003 Swing-Arm Saddle Clamp, Braid Sock, SST/Aluminum

CLAMP DIMENSIONS

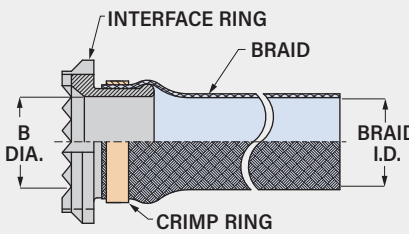


Standard Clamp							Large Clamp						
Size Code	L Max in	L Max mm	M Min in	M Min mm	N Ref. in mm		Size Code	P Max in	P Max mm	R Min in	R Min mm	S Ref. in mm	
07	.98	24.9	.22	5.6	.265	6.7	07	.98	24.9	.33	8.4	.356	9.0
08	.98	24.9	.22	5.6	.265	6.7	08	.98	24.9	.33	8.4	.356	9.0
09	1.05	26.7	.27	6.9	.310	7.9	09	1.20	30.5	.45	11.4	.422	10.7
10	1.05	26.7	.27	6.9	.310	7.9	10	1.20	30.5	.45	11.4	.422	10.7
12	1.20	30.5	.35	8.9	.422	10.7	12	1.45	36.8	.62	15.7	.637	16.2
13	1.20	30.5	.35	8.9	.422	10.7	13	1.45	36.8	.62	15.7	.637	16.2
14	1.44	36.6	.55	14.0	.590	15.0	14	1.60	40.6	.80	20.3	.759	19.3
16	1.56	39.6	.62	15.7	.660	16.8	16	1.73	43.9	.90	22.9	.841	21.4
17	1.69	42.9	.70	17.8	.744	18.9	17	1.95	49.5	1.05	26.7	.996	25.3

MATERIAL/FINISH

Aluminum (Codes M, MT, NF, TZ, ZR)
Coupling nut, body, arms, saddles, interface ring: aluminum
Screws, washers, inserts: stainless steel/passivated
Anti-decoupling spring: thermoplastic
Clinch nuts: Codes M, MT, TZ and ZR: stainless steel, silver plated. Code NF: stainless steel/olive drab cadmium
Stainless Steel (Codes BM, BMT, Z1, ZM)
Coupling nut, body, arms, saddles, anti-decoupling springs, screws, washers, inserts: stainless steel, passivated
Clinch nuts: stainless steel, silver plated
interface ring: brass (codes BM, BMT) or stainless steel (Z1, ZM)
Braid:
Code N: 34 AWG nickel-coated copper
Code T: 34 AWG tin-coated copper,
Code A: *AmberStrand*® ultralightweight nickel-coated polymer
Code L: *ArmorLite*® lightweight microfilament nickel-coated 316L stainless steel

INTERFACE RING AND BRAID



Size Code	ø B in	B Min mm	Braid I.D. in	Braid I.D. mm
07	.264	6.7	.375	9.53
08	.264	6.7	.375	9.53
09	.392	10.0	.375	9.53
10	.392	10.0	.375	9.53
12	.506	12.9	.500	12.70
13	.506	12.9	.500	12.70
14	.756	19.2	.781	19.84
16	.844	21.4	1.000	25.40
17	.970	24.6	1.000	25.40

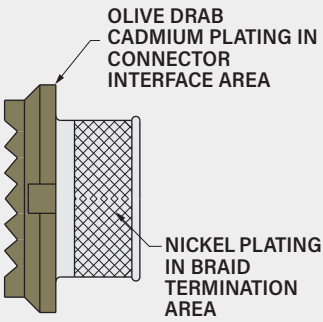
SPLICE RING AND PRE-COILED BAND (K AND J OPTIONS)

Optional splice ring provides a reliable, low resistance method of splicing Swing-Arm braid sock to wire bundle braid. Snap splice ring over wire bundle, then overlap braid sock, pigtails and cable braid. install band around splice ring and braid using Band-Master ATS banding tool. *Slim Standard Band* is 50% lighter weight than standard band with no reduction in strength.



Size Code	Band Part Number		Splice Ring Part Number	øA		øB	
	Standard	Slim Standard		± .03 (0.8) in	± .03 (0.8) mm	± .03 (0.8) in	± .03 (0.8) mm
07, 08	601-006	601-571	687-207XB04	.25	6.4	.40	10.2
09, 10	601-006	601-571	687-207XB06	.38	9.7	.53	13.5
12	601-006	601-571	687-207XB08	.50	12.7	.65	16.5
13	601-006	601-571	687-207XB10	.63	16.0	.78	19.8
14	601-006	601-571	687-207XB12	.75	19.1	.90	22.9
16	601-006	601-571	687-207XB14	.88	22.4	1.03	26.2
17	601-041	601-573	687-207XB16	1.00	25.4	1.15	29.2

FIGURE 1
NF SELECTIVE FINISH



INTERFACE RING