

Swing-Arm® Clamps

for Series 806 Mil-Aero Connectors

870V005 Swing-Arm Saddle Clamp, EMI Banding Adapter, Aluminum/SST

Self-Locking



Adapter Code **V**

This accessory fits Glenair Series 806 Mil-Aero connectors

TABLE 1 MATERIAL / FINISH

Aluminum	
ME	Electroless nickel
MT	Nickel-PTFE
NF	Olive drab cadmium
NFS	Olive drab cadmium, selective (fig. 1)
TZ	Tin-zinc
ZR	Black zinc-nickel
Stainless Steel, Passivated	
BM	Brass interface ring, nickel plated
BMT	Brass interface ring, nickel-PTFE plated
ZI	SST interface ring, passivated
ZM	SST interface ring, nickel plated

Shielded, self-locking, adjustable arms. 870V005 aluminum or stainless steel Swing-Arm saddle clamp fits Glenair Series 806 Mil-Aero connectors. Adjustable arms pivot to 0°, 45° or 90° positions. Banding adapter has optional "T" slots for pigtailed individual shields. Terminate shield braid to adapter with optional Band-Master ATS® pre-coiled banding strap. Full radius saddles with self-locking clinch nuts. Available in two clamp sizes: standard clamp fits most wire bundles, large clamp has increased clearance for oversize wire bundles. Coupling nut has anti-decoupling mechanism for audible detented coupling and prevents backoff under high vibration.

PART NUMBER

870V005	M	22	A	S	K
Base P/N	870V005				
Material/Finish	See Table 1				
Shell Size	08 09 10 11 12 14 16 18 20 22 24				
Clamp Size	A Standard Clamp B Large Clamp				
Banding Adapter Slots	S "T" Slots in Banding Adapter for Shield Pigtails				
Band	K Pre-Coiled Micro Band included With Clamp J Pre-Coiled Slim Micro Band included With Clamp				

FIGURE 1

MATERIAL / FINISH CODE **NFS**

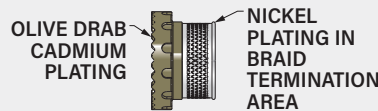
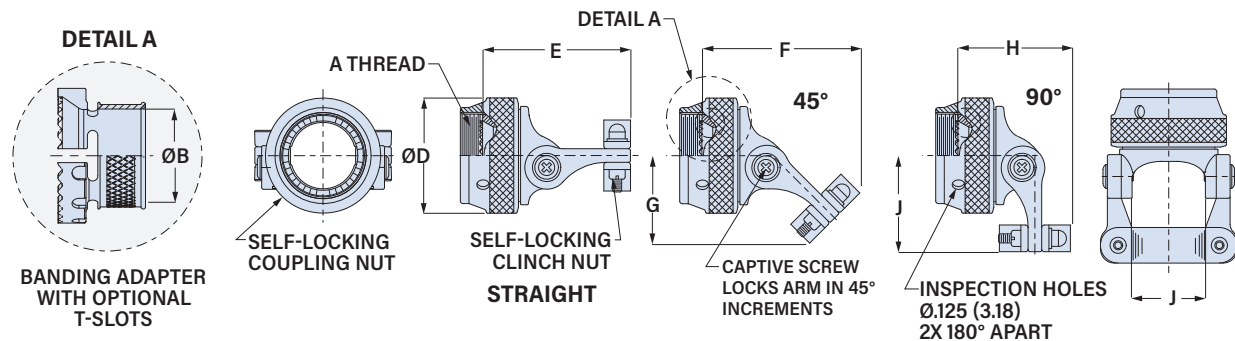


FIGURE 2

BANDING ADAPTER SLOTS



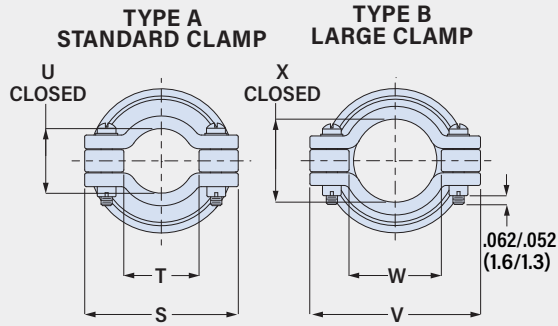
Shell Size	A Thread ISO Metric	ø B Min		ø C Max		D Max		E Max		F Max		G Max		H Max		J Ref.	
		in	mm	in	mm	in	mm	in	mm	in	mm	in	mm	in	mm		
08	M10 x 1.0-6H	.178	4.5	.812	20.6	1.55	39.4	1.45	36.8	.77	19.6	.98	24.9	.87	22.1	.393	10.0
09	M12 x 1.0-6H	.178	4.5	.812	20.6	1.55	39.4	1.45	36.8	.77	19.6	.98	24.9	.87	22.1	.393	10.0
10	M14 x 1.0-6H	.305	7.7	.938	23.8	1.61	40.9	1.56	39.6	.87	22.1	1.05	26.7	.96	24.4	.455	11.6
11	M15 x 1.0-6H	.305	7.7	.938	23.8	1.61	40.9	1.56	39.6	.87	22.1	1.05	26.7	.96	24.4	.455	11.6
12	M17 x 1.0-6H	.404	10.3	1.125	28.6	1.66	42.2	1.71	43.4	.97	24.6	1.22	31.0	1.03	26.2	.598	15.2
14	M19 x 1.0-6H	.565	14.4	1.250	31.8	1.67	42.4	1.79	45.5	1.02	25.9	1.32	33.5	1.10	27.9	.710	18.0
16	M22 x 1.0-6H	.565	14.4	1.250	31.8	1.67	42.4	1.79	45.5	1.02	25.9	1.32	33.5	1.10	27.9	.710	18.0
18	M25 x 1.0-6H	.658	16.7	1.375	34.9	1.77	45.0	1.88	47.8	1.08	27.4	1.38	35.1	1.16	29.5	.839	21.3
20	M28 x 1.0-6H	.777	19.7	1.500	38.1	1.77	45.0	1.96	49.8	1.13	28.7	1.49	37.8	1.22	31.0	.934	23.7
22	M31 x 1.0-6H	.877	22.3	1.625	41.3	1.92	48.8	2.13	54.1	1.24	31.5	1.61	40.9	1.29	32.8	1.068	27.1
24	M34 x 1.0-6H	.999	25.4	1.750	44.5	1.95	49.5	2.20	55.9	1.30	33.0	1.68	42.7	1.36	34.5	1.197	30.4

Swing-Arm® Clamps

for Series 806 Mil-Aero Connectors

870V005 Swing-Arm Saddle Clamp, EMI Banding Adapter, Aluminum/SST

CLAMP DIMENSIONS



Standard Clamp							Large Clamp						
Shell Size	S Max in	S Max mm	T Min in	T Min mm	U Ref. in	U Ref. mm	Shell Size	V Max in	V Max mm	W Min in	W Min mm	X Ref. in	X Ref. mm
08	.97	24.6	.22	5.6	.264	6.7	08	.98	24.9	.33	8.4	.356	9.0
09	.97	24.6	.22	5.6	.264	6.7	09	.98	24.9	.33	8.4	.356	9.0
10	1.03	26.2	.29	7.4	.310	7.9	10	1.20	30.5	.45	11.4	.422	10.7
11	1.03	26.2	.29	7.4	.310	7.9	11	1.20	30.5	.45	11.4	.422	10.7
12	1.21	30.7	.34	8.6	.422	10.7	12	1.45	36.8	.62	15.7	.637	16.2
14	1.32	33.5	.45	11.4	.538	13.7	14	1.54	39.1	.68	17.3	.707	18.0
16	1.32	33.5	.45	11.4	.538	13.7	16	1.54	39.1	.68	17.3	.707	18.0
18	1.45	36.8	.55	14.0	.590	15.0	18	1.60	40.6	.80	20.3	.759	19.3
20	1.54	39.1	.65	16.5	.660	16.8	20	1.73	43.9	.90	22.9	.841	21.4
22	1.67	42.4	.74	18.8	.744	18.9	22	1.95	49.5	1.05	26.7	.996	25.3
24	1.79	45.5	.87	22.1	.826	21.0	24	2.08	52.8	1.18	30.0	1.060	26.9

MATERIAL/FINISH

Aluminum (Codes M, MT, NF, NFS TZ, ZR)
 Coupling nut, body, arms, saddles: aluminum
 Screws, washers, inserts: stainless steel/ passivated
 Anti-decoupling springs: thermoplastic
 Clinch nuts: Codes M, MT, TZ and ZR: stainless steel, silver plated. Code NF, NFS: stainless steel/ olive drab cadmium
 Banding adapter: aluminum
 Band (optional): stainless steel/ passivated

Stainless Steel (Codes BM, BMT, Z1, ZM)
 Coupling nut, body, arms, saddles, anti-decoupling springs, screws, washers, inserts: stainless steel, passivated
 Clinch nuts: stainless steel, silver plated
 Banding adapter:
 Code BM: brass/ electroless nickel
 Code BMT: brass/ nickel-PTFE
 Code Z1: stainless steel/ passivated
 Code ZM: stainless steel/ electroless nickel
 Band (optional): stainless steel/ passivated

BAND INFORMATION

Terminate cable braid to band adapter with optional pre-coiled banding strap. Glenair's Band-Master ATS® banding system provides quick, easy, cost-effective and highly reliable termination. Band is passivated stainless steel.



Shell Size	Pre-Coiled Micro Band Part No.	Pre-Coiled Slim Micro Band Part No.	Length		Max Diameter	
			in	mm	in	mm
8 - 12	601-061	601-601	8.125	206	.88	22.4
14 - 24	601-065	601-603	14.25	362	1.88	47.8