



Swing-Arm® Clamps

for AS50151 Crimp, M26482 Series II, M83723 Series III, AS95234

871A002 Swing-Arm Flex Clamp with Braid Sock, Composite

Self-Locking

Shielded. Lightweight. Self-locking. Adjustable arms. 871A002 Swing-Arm Flex Clamp fits AS50151 crimp, AS95234, MIL-DTL-26482 Series II, and MIL-DTL-83723 Series III connectors. Adjustable arms pivot to 0°, 45° or 90° positions. Supplied with 12 inches (305 mm) of shield braid attached to metal interface ring. Braid choices include 34 AWG nickel/copper, 34 AWG tin/copper, ultralightweight AmberStrand® or microfilament nickel/SST Armorlite®. Corrosion-resistant high performance thermoplastic meets AS85049 requirements. Coupling nut has anti-decoupling mechanism for audible detented coupling and prevents backoff under high vibration.



Adapter Code **A**

AS50151 crimp, AS95234, MIL-DTL-26482 Ser. II, MIL-DTL-83723 Ser. III

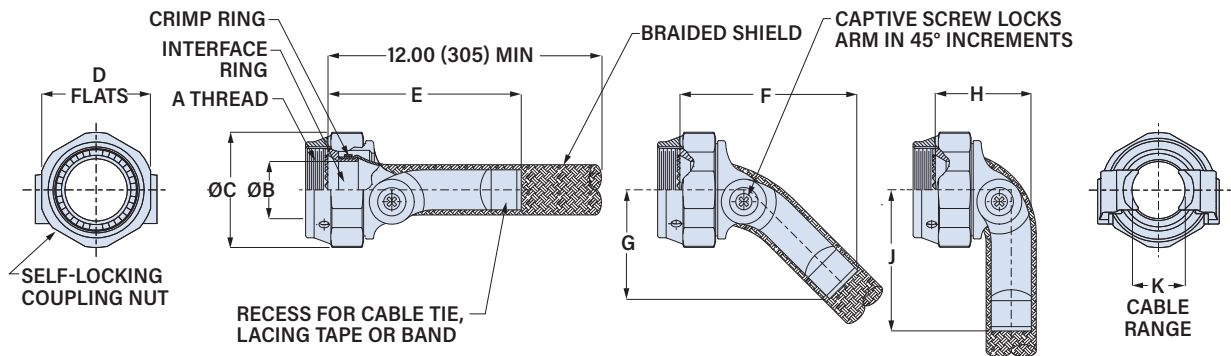
TABLE 1

INTERFACE RING MATERIAL/ FINISH

Aluminum	
M	Electroless Nickel
NF	Olive Drab Cadmium and Electroless Nickel (Figure 1)
MT	Nickel-PTFE
TZ	Tin-Zinc
ZR	Black Zinc-Nickel
Brass	
BM	Electroless Nickel
BN	Olive Drab Cadmium and Electroless Nickel (Figure 1)
BMT	Nickel-PTFE

PART NUMBER

871A002	BM	22	N	J	14
Base P/N	871A002				
Interface Ring Material/Finish	See Table 1				
Shell Size	08 10 12 14 16 18 20 22 24				
Braid Type	N 34 AWG Nickel/Copper Braid T 34 AWG Tin/Copper Braid A AmberStrand® Nickel/Composite Braid L ArmorLite® Microfilament Nickel/SST Braid				
Splice Ring and Band	Omit if not required K Splice ring and standard band J Splice ring and slim standard band				
Braid Length	Omit for standard 12 inch length 14 Length in 1 inch increments, 6 inch min "14" = 14 inches.				



Shell Size	A Thread Class 2B	ø B Min		ø C Max		D Flats		E Max		F Max		G Max		H Max		J Max		K Ref.			
		in	mm	in	mm	in	mm	in	mm	in	mm	in	mm	in	mm	in	mm	in	mm	in	mm
08	0.500-20 UNF	.264	6.7	.812	20.6	.750	19.1	1.77	45.0	1.54	39.1	.84	21.3	.83	21.1	1.09	27.7	.393	10.0	.098	2.5
10	0.625-24 UNEF	.365	9.3	.938	23.8	.875	22.2	1.77	45.0	1.54	39.1	.87	22.1	.83	21.1	1.12	28.4	.455	11.6	.121	3.1
12	0.750-20 UNEF	.498	12.6	1.125	28.6	1.000	25.4	2.05	52.1	1.85	47.0	1.07	27.2	1.01	25.7	1.41	35.8	.598	15.2	.157	4.0
14	0.875-20 UNEF	.575	14.6	1.250	31.8	1.125	28.6	2.05	52.1	1.85	47.0	1.13	28.7	1.01	25.7	1.47	37.3	.710	18.0	.210	5.3
16	1.000-20 UNEF	.700	17.8	1.375	34.9	1.250	31.8	2.26	57.4	2.10	53.3	1.26	32.0	1.17	29.7	1.65	41.9	.839	21.3	.246	6.2
18	1.0625-18 UNEF	.779	19.8	1.500	38.1	1.375	34.9	2.26	57.4	2.10	53.3	1.32	33.5	1.17	29.7	1.71	43.4	.934	23.7	.277	7.0
20	1.1875-18 UNEF	.904	23.0	1.625	41.3	1.500	38.1	2.72	69.1	2.51	63.8	1.60	40.6	1.33	33.8	2.09	53.1	1.068	27.1	.313	8.0
22	1.3125-18 UNEF	1.029	26.1	1.750	44.5	1.625	41.3	2.72	69.1	2.51	63.8	1.64	41.7	1.33	33.8	2.13	54.1	1.197	30.4	.349	8.9
24	1.4375-18 UNEF	1.144	29.1	1.875	47.6	1.750	44.5	2.93	74.4	2.73	69.3	1.81	46.0	1.42	36.1	2.38	60.5	1.323	33.6	.380	9.7

Swing-Arm® Clamps

for AS50151 Crimp, M26482 Series II, M83723 Series III, AS95234

871A002 Swing-Arm Flex Clamp with Braid Sock, Composite

MATERIAL/FINISH

Coupling nut, body: polyetherimide (PEI)/unplated, black

Flex arms: PEEK (PEI)/unplated, black

Screws, washers, inserts: stainless steel/passivated

Anti-decoupling spring: thermoplastic interface ring: brass or aluminum

Crimp ring: copper alloy/tin

Splice ring (optional): thermoplastic

Band (optional): stainless steel/passivated

Braid:

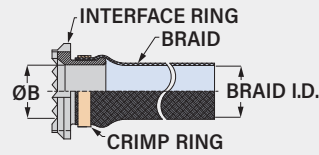
Code N: 34 AWG nickel-coated copper

Code T: 34 AWG tin-coated copper,

Code A: *AmberStrand*® ultralightweight nickel-coated polymer

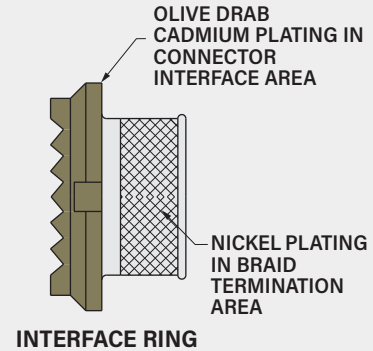
Code L: *ArmorLite*® lightweight microfilament nickel-coated 316L stainless steel

INTERFACE RING AND BRAID

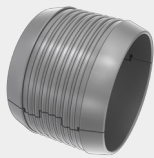


Shell Size	Ø B Min		Braid I.D.	
	in	mm	in	mm
08	.264	6.7	.375	9.5
10	.365	9.3	.375	9.5
12	.498	12.6	.500	12.7
14	.575	14.6	.500	12.7
16	.700	17.8	.781	19.8
18	.779	19.8	.781	19.8
20	.904	23.0	1.000	25.4
22	1.029	26.1	1.000	25.4
24	1.144	29.1	1.250	31.8

FIGURE 1 NF AND BN SELECTIVE FINISH



SPLICE RING AND BAND (K AND J OPTIONS)



Splice Ring



Pre-Coiled Band

Optional split ring provides a reliable, low resistance method of splicing Swing-Arm braid to wire bundle braid. Snap splice ring over wire bundle, then overlap braid sock, pigtails and cable braid. install band around splice ring and braid using Band-Master ATS banding tool.

Slim Standard Band is 50% lighter weight than standard band with no reduction in strength.

Shell Size	Precoiled Band Part Number	
	Standard	Slim Standard
All	601-041	601-573



Banding Tool for Standard Band
601-100



Banding Tool for Slim Standard Band
601-109

Shell Size	Splice Ring Part Number	ØA		ØB	
		± .03 (0.8) in	mm	± .03 (0.8) in	mm
08	687-207XB04	.25	6.4	.40	10.2
10	687-207XB06	.38	9.7	.53	13.5
12	687-207XB08	.50	12.7	.65	16.5
14	687-207XB10	.63	16.0	.78	19.8
16	687-207XB12	.75	19.1	.90	22.9
18	687-207XB14	.88	22.4	1.03	26.2
20	687-207XB16	1.00	25.4	1.15	29.2
22	687-207XB18	1.13	28.7	1.28	32.5
24	687-207XB20	1.25	31.8	1.40	35.6

