

# Swing-Arm® Clamps

for AS50151 Crimp, M26482 Series II, M83723 Series III, AS95234

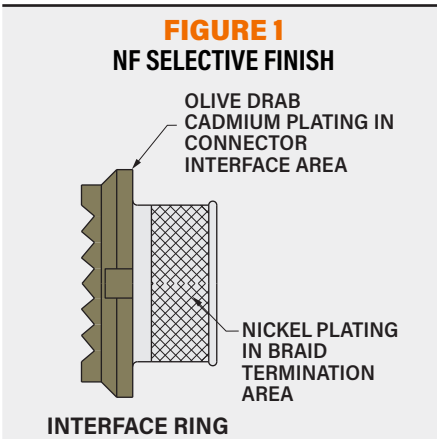
## 871A003 Swing-Arm Flex Clamp with Braid Sock, Aluminum

**Self-Locking**



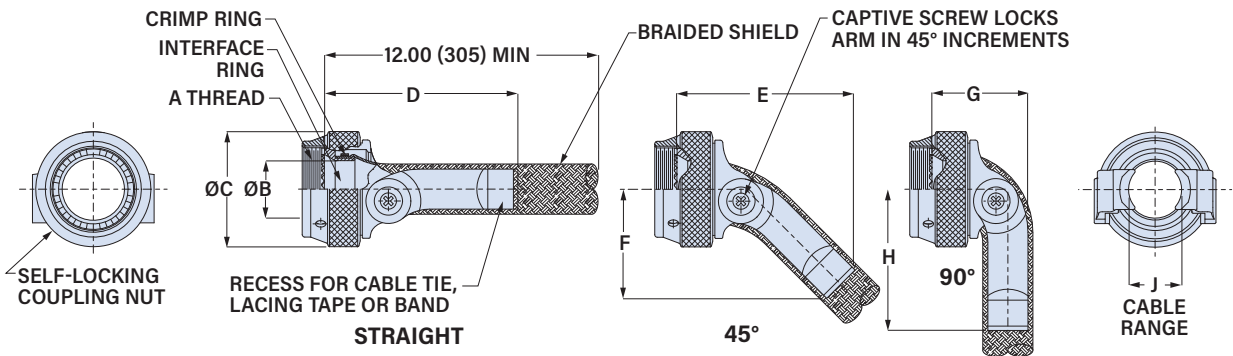
**Shielded. Lightweight. Self-locking. Adjustable arms.** 871A003 Swing-Arm Flex Clamp has aluminum coupling nut and body with thermoplastic flex arms. Fits AS50151 crimp, AS95234, MIL-DTL-26482 Series II, and MIL-DTL-83723 Series III connectors. Adjustable arms pivot to 0°, 45° or 90° positions. Supplied with 12 inches (305 mm) of shield braid attached to metal interface ring. Braid choices include 34 AWG nickel/copper, 34 AWG tin/copper, ultralightweight AmberStrand® or microfilament nickel/SST Armorlite®. Coupling nut has anti-decoupling mechanism for audible detented coupling and prevents backoff under high vibration.

<b>Adapter Code</b>	<b>A</b>
AS50151 crimp, AS95234, MIL-DTL-26482 Ser. II, MIL-DTL-83723 Ser. III	



**PART NUMBER**

	<b>871A003</b>	<b>BM</b>	<b>22</b>	<b>N</b>	<b>J</b>	<b>14</b>
<b>Base P/N</b>	<b>871A003</b>					
<b>Material/Finish</b>	<b>M</b> Electroless Nickel <b>NF</b> O. D. Cadmium, Selective (Figure 1) <b>MT</b> Nickel-PTFE <b>TZ</b> Tin-Zinc <b>ZR</b> Black Zinc-Nickel					
<b>Shell Size</b>	<b>08 10 12 14 16 18 20 22 24</b>					
<b>Braid Type</b>	<b>N</b> 34 AWG Nickel/Copper Braid <b>T</b> 34 AWG Tin/Copper Braid <b>A</b> AmberStrand® Nickel/Composite Braid <b>L</b> ArmorLite® Microfilament Nickel/SST Braid					
<b>Splice Ring and Band</b>	Omit if not required <b>K</b> Splice ring and standard band <b>J</b> Splice ring and slim standard band					
<b>Braid Length</b>	Omit for standard 12 inch length <b>14</b> Length in 1 inch increments, 6 inch min "14" = 14 inches.					



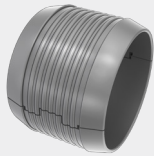
Shell Size	A Thread Class 2B	ø B Min		ø C Max		D Max		E Max		F Max		G Max		H Max		J Ref.			
		in	mm	in	mm	in	mm	in	mm	in	mm	in	mm	in	mm	Max	Min		
<b>08</b>	0.500-20 UNF	.264	6.7	.812	20.6	1.77	45.0	1.54	39.1	.84	21.3	.83	21.1	1.09	27.7	.393	10.0	.098	2.5
<b>10</b>	0.625-24 UNEF	.365	9.3	.938	23.8	1.77	45.0	1.54	39.1	.87	22.1	.83	21.1	1.12	28.4	.455	11.6	.121	3.1
<b>12</b>	0.750-20 UNEF	.498	12.6	1.125	28.6	2.05	52.1	1.85	47.0	1.07	27.2	1.01	25.7	1.41	35.8	.598	15.2	.157	4.0
<b>14</b>	0.875-20 UNEF	.575	14.6	1.250	31.8	2.05	52.1	1.85	47.0	1.13	28.7	1.01	25.7	1.47	37.3	.710	18.0	.210	5.3
<b>16</b>	1.000-20 UNEF	.700	17.8	1.375	34.9	2.26	57.4	2.10	53.3	1.26	32.0	1.17	29.7	1.65	41.9	.839	21.3	.246	6.2
<b>18</b>	1.0625-18 UNEF	.779	19.8	1.500	38.1	2.26	57.4	2.10	53.3	1.32	33.5	1.17	29.7	1.71	43.4	.934	23.7	.277	7.0
<b>20</b>	1.1875-18 UNEF	.904	23.0	1.625	41.3	2.72	69.1	2.51	63.8	1.60	40.6	1.33	33.8	2.09	53.1	1.068	27.1	.313	8.0
<b>22</b>	1.3125-18 UNEF	1.029	26.1	1.750	44.5	2.72	69.1	2.51	63.8	1.64	41.7	1.33	33.8	2.13	54.1	1.197	30.4	.349	8.9
<b>24</b>	1.4375-18 UNEF	1.144	29.1	1.875	47.6	2.93	74.4	2.73	69.3	1.81	46.0	1.42	36.1	2.38	60.5	1.323	33.6	.380	9.7

# Swing-Arm® Clamps

for AS50151 Crimp, M26482 Series II, M83723 Series III, AS95234

## 871A003 Swing-Arm Flex Clamp with Braid Sock, Aluminum

### SPLICE RING AND BAND (K AND J OPTIONS)



Splice Ring



Pre-Coiled Band

Optional split ring provides a reliable, low resistance method of splicing Swing-Arm braid to wire bundle braid. Snap splice ring over wire bundle, then overlap braid sock, pigtails and cable braid. install band around splice ring and braid using Band-Master ATS banding tool.

**Slim Standard Band** is 50% lighter than standard band with no reduction in strength.

Shell Size	Precoiled Band Part Number	
	Standard	Slim Standard
All	<b>601-041</b>	<b>601-573</b>

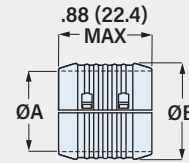


Banding Tool for Standard Band  
**601-100**



Banding Tool for Slim Standard Band  
**601-109**

Shell Size	Splice Ring Part Number	øA		øB	
		± .03 (0.8) in	mm	± .03 (0.8) in	mm
08	<b>687-207XB04</b>	.25	6.4	.40	10.2
10	<b>687-207XB06</b>	.38	9.7	.53	13.5
12	<b>687-207XB08</b>	.50	12.7	.65	16.5
14	<b>687-207XB10</b>	.63	16.0	.78	19.8
16	<b>687-207XB12</b>	.75	19.1	.90	22.9
18	<b>687-207XB14</b>	.88	22.4	1.03	26.2
20	<b>687-207XB16</b>	1.00	25.4	1.15	29.2
22	<b>687-207XB18</b>	1.13	28.7	1.28	32.5
24	<b>687-207XB20</b>	1.25	31.8	1.40	35.6

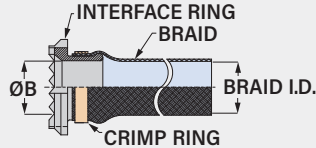


**687-207 SPLICE RING**

### MATERIAL/FINISH

- Coupling nut, body: aluminum
- Flex arms: PEEK (PEI)/unplated, black
- Screws, washers, inserts: stainless steel/passivated
- Anti-decoupling spring: thermoplastic
- interface Ring: aluminum
- Crimp ring: copper alloy/tin
- Splice ring (optional): thermoplastic
- Band (optional): stainless steel/passivated
- Braid:
  - Code N: 34 AWG nickel-coated copper
  - Code T: 34 AWG tin-coated copper,
  - Code A: **AmberStrand**® ultralightweight nickel-coated polymer
  - Code L: **ArmorLite**® lightweight microfilament nickel-coated 316L stainless steel

### INTERFACE RING AND BRAID



Shell Size	ø B		Braid I.D.	
	in	mm	in	mm
<b>08</b>	.264	6.7	.375	9.5
<b>10</b>	.365	9.3	.375	9.5
<b>12</b>	.498	12.6	.500	12.7
<b>14</b>	.575	14.6	.500	12.7
<b>16</b>	.700	17.8	.781	19.8
<b>18</b>	.779	19.8	.781	19.8
<b>20</b>	.904	23.0	1.000	25.4
<b>22</b>	1.029	26.1	1.000	25.4
<b>24</b>	1.144	29.1	1.250	31.8