

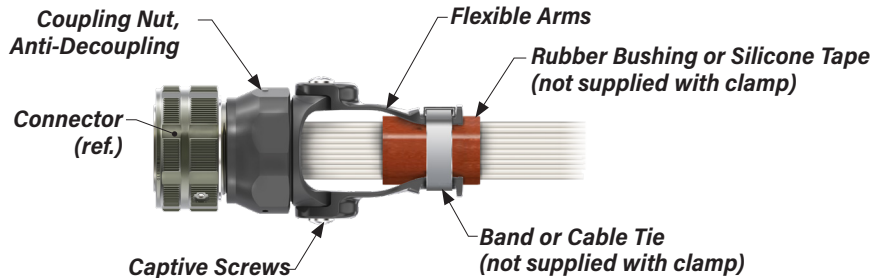
Swing-Arm® Clamps

for MIL-DTL-38999 Series I and II Connectors

871F001 Swing-Arm Flex Clamp

Self-Locking

Lightweight, self-locking, flexible arms. 871F001 Swing-Arm Flex Clamp fits MIL-DTL-38999 Series I and II connectors. Use with unshielded wire bundles. Adjustable arms pivot to 0°, 45° or 90° positions. Use banding strap or cable tie to secure arms to wire bundle. Coupling nut has anti-decoupling mechanism for audible detented coupling and prevents backoff under high vibration. Clamp and coupling nut are composite or aluminum, flex arms are PEEK. Passivated SST hardware.



Adapter Code F
 This accessory fits these connectors:
 MIL-DTL-38999 Series I and Series II

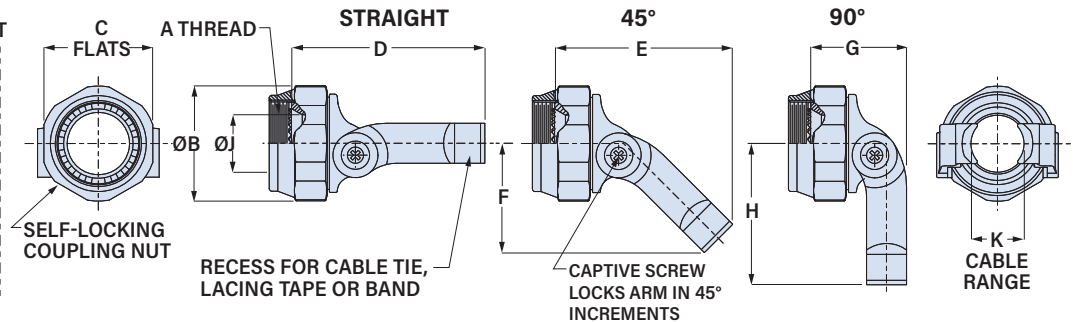
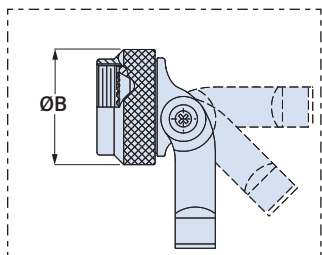
MATERIAL/FINISH

Body, coupling nut :
 Code XB: polyetherimide, black
 Codes M, MT, NF, TZ, ZR: aluminum alloy
 Arms: PEEK, black
 Hardware: stainless steel
 Anti-decoupling spring: thermoplastic

PART NUMBER

		871F001	XB	12																																						
Base P/N	871F001																																									
Material/Finish	Composite XB No Finish (Black) Aluminum M Electroless Nickel NF Olive Drab Cadmium MT Nickel-PTFR TZ Tin-Zinc ZR Black Zinc-Nickel	Material/Finish Code applies to coupling nut and clamp body. Flex arms are black thermoplastic.																																								
Shell Size	<table border="1"> <tr> <td></td> <td colspan="7">Shell Size</td> </tr> <tr> <td>38999 Series I</td> <td>9</td> <td>11</td> <td>13</td> <td>15</td> <td>17</td> <td>19</td> <td>21</td> <td>23</td> <td>25</td> </tr> <tr> <td>38999 Series II</td> <td>8</td> <td>10</td> <td>12</td> <td>14</td> <td>16</td> <td>18</td> <td>20</td> <td>22</td> <td>24</td> </tr> <tr> <td>Size Code</td> <td>08</td> <td>10</td> <td>12</td> <td>14</td> <td>16</td> <td>18</td> <td>20</td> <td>22</td> <td>24</td> </tr> </table>					Shell Size							38999 Series I	9	11	13	15	17	19	21	23	25	38999 Series II	8	10	12	14	16	18	20	22	24	Size Code	08	10	12	14	16	18	20	22	24
	Shell Size																																									
38999 Series I	9	11	13	15	17	19	21	23	25																																	
38999 Series II	8	10	12	14	16	18	20	22	24																																	
Size Code	08	10	12	14	16	18	20	22	24																																	

ALUMINUM ALLOY CONFIG. ROUND KNURLED COUPLING NUT



Shell Size	A Thread	ØB Max		C Flats		D Max		E Max		F Max		G Max		H Max		J Min		K Ref.			
		in	mm	in	mm	in	mm	in	mm	in	mm	in	mm	in	mm	in	mm	in	mm		
8/9	0.4375-28	.812	20.6	.750	19.1	1.69	42.9	1.46	37.1	.87	22.1	.85	21.6	1.12	28.4	.264	6.7	.393	10.0	.098	2.5
10/11	0.5625-24	.938	23.8	.875	22.2	1.69	42.9	1.46	37.1	.89	22.6	.85	21.6	1.15	29.2	.390	9.9	.455	11.6	.121	3.1
12/13	0.6875-24	1.125	28.6	1.000	25.4	1.97	50.0	1.77	45.0	1.10	27.9	.94	23.9	1.44	36.6	.504	12.8	.598	15.2	.157	4.0
14/15	0.8125-20	1.250	31.8	1.125	28.6	1.97	50.0	1.77	45.0	1.32	33.5	.94	23.9	1.50	38.1	.630	16.0	.710	18.0	.210	5.3
16/17	0.9375-20	1.375	34.9	1.250	31.8	2.18	55.4	2.02	51.3	1.28	32.5	1.10	27.9	1.68	42.7	.756	19.2	.839	21.3	.246	6.2
18/19	1.0625-18	1.500	38.1	1.375	34.9	2.18	55.4	2.02	51.3	1.35	34.3	1.10	27.9	1.74	44.2	.843	21.4	.934	23.7	.277	7.0
20/21	1.1875-18	1.625	41.3	1.500	38.1	2.64	67.1	2.43	61.7	1.63	41.4	1.26	32.0	2.12	53.8	.969	24.6	1.068	27.1	.313	8.0
22/23	1.3125-18	1.750	44.5	1.625	41.3	2.64	67.1	2.43	61.7	1.67	42.4	1.26	32.0	2.16	54.9	1.091	27.7	1.197	30.4	.349	8.9
24/25	1.4375-18	1.875	47.6	1.750	44.5	2.85	72.4	2.65	67.3	1.84	46.7	1.35	34.3	2.41	61.2	1.217	30.9	1.323	33.6	.380	9.7