

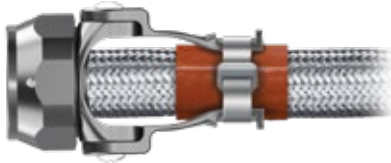


Swing-Arm® Clamps

for MIL-DTL-38999 Series I and II Connectors

871F002 Swing-Arm Flex Clamp with Braid Sock, Composite

Self-Locking



Flex clamp with braid sock
(Bushing and band not included)

Adapter Code F

This accessory fits these connectors:
MIL-DTL-38999 Series I and Series II

TABLE 1

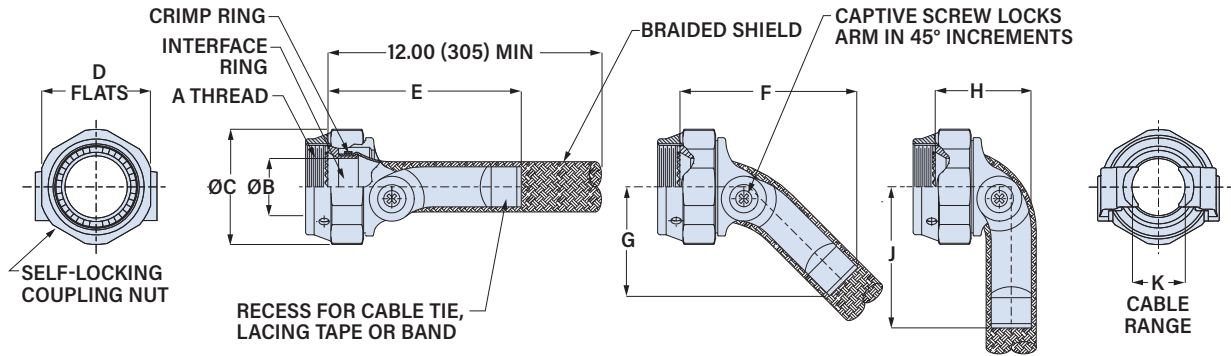
INTERFACE RING MATERIAL/ FINISH

Aluminum	
M	Electroless Nickel
NF	Olive Drab Cadmium and Electroless Nickel (Figure 1)
MT	Nickel-PTFE
TZ	Tin-Zinc
ZR	Black Zinc-Nickel
Brass	
BM	Electroless Nickel
BN	Olive Drab Cadmium and Electroless Nickel (Figure 1)
BMT	Nickel-PTFE

Shielded. Lightweight. Self-locking. Adjustable arms. 871F002 Swing-Arm Flex Clamp fits MIL-DTL-38999 Series I and II connectors. Adjustable arms pivot to 0°, 45° or 90° positions. Supplied with 12 inches (305 mm) of shield braid attached to metal interface ring. Braid choices include 34 AWG nickel/copper, 34 AWG tin/copper, ultralightweight AmberStrand® or microfilament nickel/SST Armorlite®. Corrosion-resistant high performance thermoplastic meets AS85049 requirements. Coupling nut has anti-decoupling mechanism for audible detented coupling and prevents backoff under high vibration.

PART NUMBER

871F002	BM	22	N	J	14
Base P/N	871F002				
Interface Ring Material/Finish	See Table 1				
Shell Size	Shell Size				
	38999 Series I	9	11	13	15 17 19 21 23 25
	38999 Series II	8	10	12	14 16 18 20 22 24
	Size Code	08	10	12	14 16 18 20 22 24
Braid Type	N	34 AWG Nickel/Copper Braid			
	T	34 AWG Tin/Copper Braid			
	A	AmberStrand® Nickel/Composite Braid			
	L	ArmorLite® Microfilament Nickel/SST Braid			
Splice Ring and Band	Omit if not required				
	K	Splice ring and standard band			
	J	Splice ring and slim standard band			
Braid Length	Omit for standard 12 inch length				
	14	Length in 1 inch increments, 6 inch min "14" = 14 inches.			



Shell Size	A Thread UNEF-2B	ø B Min		ø C Max		D Flats		E Max		F Max		G Max		H Max		J Max		K Ref.			
		in	mm	in	mm	in	mm	in	mm	in	mm	in	mm	in	mm	in	mm	in	mm	in	mm
8/9	0.4375-28	.264	6.7	.812	20.6	.750	19.1	1.77	45.0	1.54	39.1	.84	21.3	.83	21.1	1.09	27.7	.393	10.0	.098	2.5
10/11	0.5625-24	.392	10.0	.938	23.8	.875	22.2	1.77	45.0	1.54	39.1	.87	22.1	.83	21.1	1.12	28.4	.455	11.6	.121	3.1
12/13	0.6875-24	.506	12.9	1.125	28.6	1.000	25.4	2.05	52.1	1.85	47.0	1.07	27.2	1.01	25.7	1.41	35.8	.598	15.2	.157	4.0
14/15	0.8125-20	.631	16.0	1.250	31.8	1.125	28.6	2.05	52.1	1.85	47.0	1.13	28.7	1.01	25.7	1.47	37.3	.710	18.0	.210	5.3
16/17	0.9375-20	.756	19.2	1.375	34.9	1.250	31.8	2.26	57.4	2.10	53.3	1.26	32.0	1.17	29.7	1.65	41.9	.839	21.3	.246	6.2
18/19	1.0625-18	.844	21.4	1.500	38.1	1.375	34.9	2.26	57.4	2.10	53.3	1.32	33.5	1.17	29.7	1.71	43.4	.934	23.7	.277	7.0
20/21	1.1875-18	.970	24.6	1.625	41.3	1.500	38.1	2.72	69.1	2.51	63.8	1.60	40.6	1.33	33.8	2.09	53.1	1.068	27.1	.313	8.0
22/23	1.3125-18	1.094	27.8	1.750	44.5	1.625	41.3	2.72	69.1	2.51	63.8	1.64	41.7	1.33	33.8	2.13	54.1	1.197	30.4	.349	8.9
24/25	1.4375-18	1.219	31.0	1.875	47.6	1.750	44.5	2.93	74.4	2.73	69.3	1.81	46.0	1.42	36.1	2.38	60.5	1.323	33.6	.380	9.7

Swing-Arm® Clamps

for MIL-DTL-38999 Series I and II Connectors

871F002 Swing-Arm Flex Clamp with Braid Sock, Composite

MATERIAL/FINISH

Coupling nut, body: polyetherimide (PEI)/unplated, black

Flex arms: PEEK (PEI)/unplated, black

Screws, washers, inserts: stainless steel/passivated

Anti-decoupling spring: thermoplastic

Interface Ring: brass or aluminum

Crimp ring: copper alloy/tin

Splice ring (optional): thermoplastic

Band (optional): stainless steel/passivated

Braid:

Code N: 34 AWG nickel-coated copper

Code T: 34 AWG tin-coated copper,

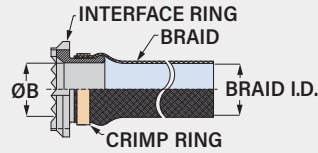
Code A: *AmberStrand*® ultralightweight

nickel-coated polymer

Code L: *ArmorLite*® lightweight

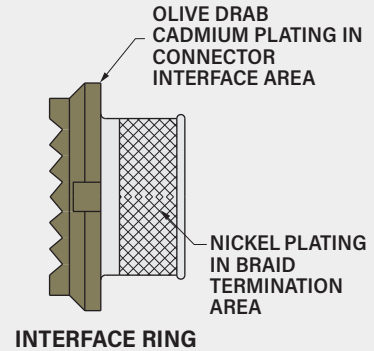
microfilament nickel-coated 316L stainless steel

INTERFACE RING AND BRAID

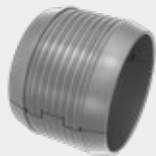


Shell Size	Ø B Min		Braid I.D.	
	in	mm	in	mm
08	.264	6.7	.375	9.5
10	.392	10.0	.375	9.5
12	.506	12.9	.500	12.7
14	.631	16.0	.500	12.7
16	.756	19.2	.781	19.8
18	.844	21.4	.781	19.8
20	.970	24.6	1.000	25.4
22	1.094	27.8	1.000	25.4
24	1.219	31.0	1.250	31.8

FIGURE 1
NF AND BN SELECTIVE FINISH



SPLICE RING AND BAND (K AND J OPTIONS)



Splice Ring



Pre-Coiled Band

Optional split ring provides a reliable, low resistance method of splicing Swing-Arm braid to wire bundle braid. Snap splice ring over wire bundle, then overlap braid sock, pigtails and cable braid. Install band around splice ring and braid using Band-Master ATS banding tool.

Slim Standard Band is 50% lighter weight than standard band with no reduction in strength.

Shell Size	Precoiled Band Part Number	
	Standard	Slim Standard
All	601-041	601-573

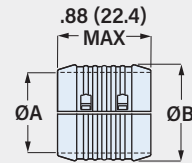


Banding Tool for Standard Band
601-100



Banding Tool for Slim Standard Band
601-109

Shell Size	Splice Ring Part Number	ØA		ØB	
		± .03 (0.8) in	mm	± .03 (0.8) in	mm
08	687-207XB04	.25	6.4	.40	10.2
10	687-207XB06	.38	9.7	.53	13.5
12	687-207XB08	.50	12.7	.65	16.5
14	687-207XB10	.63	16.0	.78	19.8
16	687-207XB12	.75	19.1	.90	22.9
18	687-207XB14	.88	22.4	1.03	26.2
20	687-207XB16	1.00	25.4	1.15	29.2
22	687-207XB18	1.13	28.7	1.28	32.5
24	687-207XB20	1.25	31.8	1.40	35.6



687-207
SPLICE RING