

Swing-Arm® Clamps

for MIL-DTL-38999 Series I and II Connectors

871F004 Swing-Arm Flex Clamp, EMI Banding Adapter, Composite

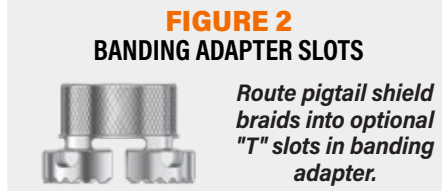
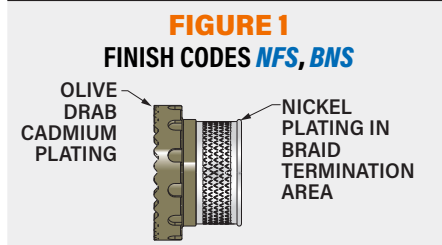
Self-Locking



Shielded, self-locking, adjustable arms. 870F004 Swing-Arm Flex Clamp fits MIL-DTL-38999 Series I and II connectors. Adjustable arms pivot to 0°, 45° or 90° positions. Includes EMI banding adapter with optional "T" slots for pigtailed individual shields. Terminate shield braid to adapter with optional Band-Master ATS® pre-coiled banding strap. Coupling nut has anti-decoupling mechanism for audible detented coupling and prevents backoff under high vibration.

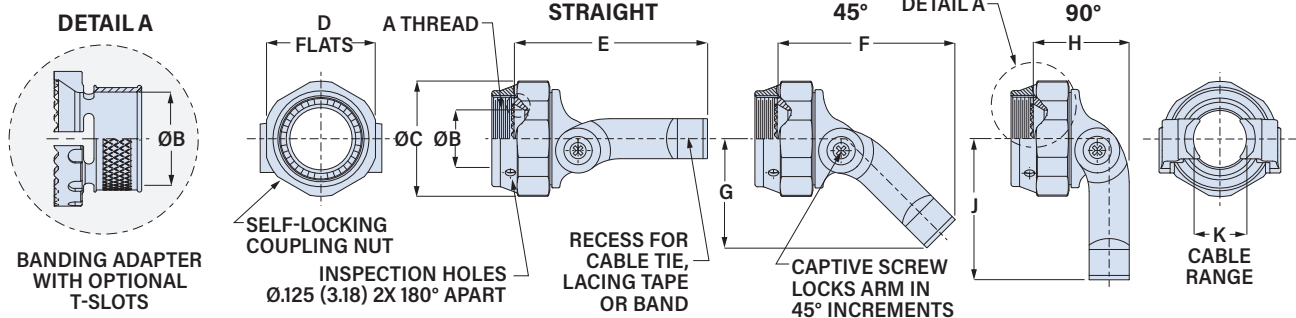
Adapter Code F

This accessory fits these connectors:
MIL-DTL-38999 Series I and Series II



PART NUMBER

Base P/N	871F004	871F004	M	22	S	K																																														
Banding Adapter Material/Finish	<p>M Alum/Electroless Nickel</p> <p>NF Alum/Olive Drab Cadmium</p> <p>NFS Alum/O.D. Cadmium, selective (fig. 1)</p> <p>MT Alum/Nickel-PTFE</p> <p>TZ Alum/Tin-Zinc</p> <p>BM Brass/Electroless Nickel</p> <p>BN Brass/Olive Drab Cadmium</p> <p>BNS Brass/O.D. Cadmium, selective (fig. 1)</p> <p>BMT Brass/Nickel-PTFE</p>																																																			
Shell Size	<table border="1"> <tr> <td></td> <td colspan="10">Shell Size</td> </tr> <tr> <td>38999 Series I</td> <td>9</td><td>11</td><td>13</td><td>15</td><td>17</td><td>19</td><td>21</td><td>23</td><td>25</td> <td></td><td></td> </tr> <tr> <td>38999 Series II</td> <td>8</td><td>10</td><td>12</td><td>14</td><td>16</td><td>18</td><td>20</td><td>22</td><td>24</td> <td></td><td></td> </tr> <tr> <td>Size Code</td> <td>08</td><td>10</td><td>12</td><td>14</td><td>16</td><td>18</td><td>20</td><td>22</td><td>24</td> <td></td><td></td> </tr> </table>		Shell Size										38999 Series I	9	11	13	15	17	19	21	23	25			38999 Series II	8	10	12	14	16	18	20	22	24			Size Code	08	10	12	14	16	18	20	22	24						
	Shell Size																																																			
38999 Series I	9	11	13	15	17	19	21	23	25																																											
38999 Series II	8	10	12	14	16	18	20	22	24																																											
Size Code	08	10	12	14	16	18	20	22	24																																											
Banding Adapter Slots	<p>Omit if not required. See Figure 2</p> <p>S "T" Slots in Banding Adapter for Shield Pigtailed</p>																																																			
Band	<p>Omit if not required.</p> <p>K Pre-Coiled Micro Band included With Clamp</p> <p>J Pre-Coiled Slim Micro Band included With Clamp</p>																																																			



Shell Size	A Thread UNEF-2B	ø B Min in	ø B Min mm	ø C Max in	ø C Max mm	D Flats in	D Flats mm	E Max in	E Max mm	F Max in	F Max mm	G Max in	G Max mm	H Max in	H Max mm	J Max in	J Max mm	K Ref.			
																		Max in	Max mm	Min in	Min mm
8/9	0.4375-28	.178	4.5	.812	20.6	.750	19.1	1.79	45.5	1.57	39.9	.87	22.1	.96	24.4	1.12	28.4	.393	10.0	.098	2.5
10/11	0.5625-24	.305	7.7	.938	23.8	.875	22.2	1.80	45.7	1.57	39.9	.89	22.6	.96	24.4	1.15	29.2	.455	11.6	.121	3.1
12/13	0.6875-24	.404	10.3	1.125	28.6	1.000	25.4	2.08	52.8	1.88	47.8	1.10	27.9	1.05	26.7	1.44	36.6	.598	15.2	.157	4.0
14/15	0.8125-20	.526	13.4	1.250	31.8	1.125	28.6	2.08	52.8	1.88	47.8	1.16	29.5	1.32	33.5	1.50	38.1	.710	18.0	.210	5.3
16/17	0.9375-20	.631	16.0	1.375	34.9	1.250	31.8	2.29	58.2	2.13	54.1	1.28	32.5	1.21	30.7	1.68	42.7	.839	21.3	.246	6.2
18/19	1.0625-18	.748	19.0	1.500	38.1	1.375	34.9	2.28	57.9	2.13	54.1	1.35	34.3	1.21	30.7	1.81	46.0	.934	23.7	.277	7.0
20/21	1.1875-18	.877	22.3	1.625	41.3	1.500	38.1	2.75	69.9	2.54	64.5	1.63	41.4	1.37	34.8	2.12	53.8	1.068	27.1	.313	8.0
22/23	1.3125-18	.999	25.4	1.750	44.5	1.625	41.3	2.75	69.9	2.54	64.5	1.67	42.4	1.37	34.8	2.16	54.9	1.197	30.4	.349	8.9
24/25	1.4375-18	1.127	28.6	1.875	47.6	1.750	44.5	2.96	75.2	2.75	69.9	1.84	46.7	1.46	37.1	2.41	61.2	1.323	33.6	.380	9.7



Swing-Arm® Clamps

for MIL-DTL-38999 Series I and II Connectors

871F004 Swing-Arm Flex Clamp, EMI Banding Adapter, Composite

MATERIAL /FINISH

- Coupling nut, body, arms: thermoplastic, black
- Screws, washers, inserts: stainless steel/ passivated
- Anti-decoupling springs: thermoplastic
- Banding adapter: aluminum alloy or brass
- Band (optional): stainless steel/ passivated

BAND INFORMATION

Terminate cable braid to band adapter with optional pre-coiled banding strap. Glenair's Band-Master ATS® banding system provides quick, easy, cost-effective and highly reliable termination. Band is passivated stainless steel.



Shell Size	Pre-Coiled Micro Band Part No.	Pre-Coiled Slim Micro Band Part No.	Length		Max Diameter	
			in	mm	in	mm
8 - 12	601-061	601-601	8.125	206	.88	22.4
14 - 24	601-065	601-603	14.25	362	1.88	47.8