



Swing-Arm® Clamps

for Series 806 Mil-Aero Connectors

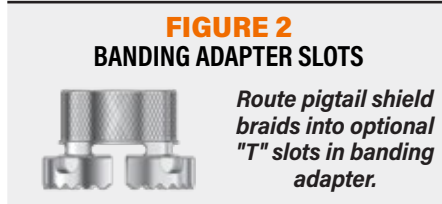
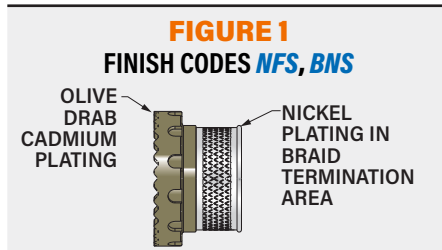
871V004 Swing-Arm Flex Clamp, EMI Banding Adapter, Composite

Self-Locking



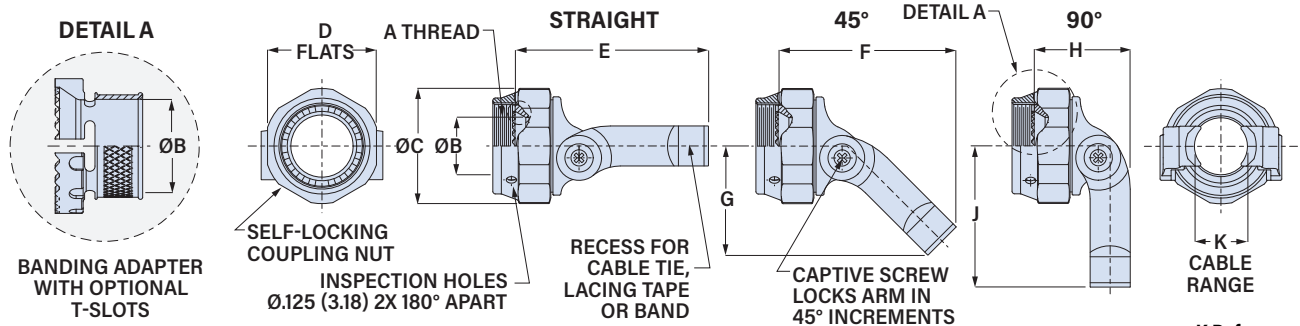
Shielded, self-locking, adjustable arms. 871V004 Swing-Arm Flex Clamp fits Glenair Series 806 Mil-Aero connectors. Adjustable arms pivot to 0°, 45° or 90° positions. Includes EMI banding adapter with optional "T" slots for pigtailed individual shields. Terminate shield braid to adapter with optional Band-Master ATS® pre-coiled banding strap. Coupling nut has anti-decoupling mechanism for audible detented coupling and prevents backoff under high vibration.

Adapter Code V
This accessory fits Glenair Series 806 Mil-Aero connectors



PART NUMBER

	871V004	M	22	S	K
Base P/N	871V004				
Banding Adapter Material/Finish	ME Alum/Electroless Nickel NF Alum/Olive Drab Cadmium NFS Alum/O.D. Cadmium, selective (fig. 1) MT Alum/Nickel-PTFE TZ Alum/Tin-Zinc BM Brass/Electroless Nickel BN Brass/Olive Drab Cadmium BNS Brass/O.D. Cadmium, selective (fig. 1) BMT Brass/Nickel-PTFE				
Shell Size	08 09 10 11 12 14 16 18 20 22 24				
Banding Adapter Slots	Omit if not required. See Figure 2 S "T" Slots in Banding Adapter for Shield Pigtailed				
Band	Omit if not required. K Pre-Coiled Micro Band included With Clamp J Pre-Coiled Slim Micro Band included With Clamp				



Shell Size	A Thread ISO Metric	ø B Min		ø C Max		D Flats		E Max		F Max		G Max		H Max		J Max		K Ref.			
		in	mm	in	mm	in	mm	in	mm	in	mm	in	mm	in	mm	in	mm	in	mm	in	mm
08	M10 x 1.0-6H	.178	4.5	.812	20.6	.750	19.1	1.79	45.5	1.57	39.9	.87	22.1	.96	24.4	1.12	28.4	.393	10.0	.098	2.5
09	M12 x 1.0-6H	.178	4.5	.812	20.6	.750	19.1	1.79	45.5	1.57	39.9	.87	22.1	.96	24.4	1.12	28.4	.393	10.0	.098	2.5
10	M14 x 1.0-6H	.305	7.7	.938	23.8	.875	22.2	1.80	45.7	1.57	39.9	.89	22.6	.96	24.4	1.15	29.2	.455	11.6	.121	3.1
11	M15 x 1.0-6H	.305	7.7	.938	23.8	.875	22.2	1.80	45.7	1.57	39.9	.89	22.6	.96	24.4	1.15	29.2	.455	11.6	.121	3.1
12	M17 x 1.0-6H	.404	10.3	1.125	28.6	1.000	25.4	2.08	52.8	1.88	47.8	1.10	27.9	1.05	26.7	1.44	36.6	.598	15.2	.157	4.0
14	M19 x 1.0-6H	.565	14.4	1.250	31.8	1.125	28.6	2.08	52.8	1.88	47.8	1.16	29.5	1.32	33.5	1.50	38.1	.598	15.2	.157	4.0
16	M22 x 1.0-6H	.565	14.4	1.250	31.8	1.125	28.6	2.08	52.8	1.88	47.8	1.16	29.5	1.32	33.5	1.50	38.1	.710	18.0	.210	5.3
18	M25 x 1.0-6H	.658	16.7	1.375	34.9	1.250	31.8	2.29	58.2	2.13	54.1	1.28	32.5	1.21	30.7	1.68	42.7	.839	21.3	.246	6.2
20	M28 x 1.0-6H	.777	19.7	1.500	38.1	1.375	34.9	2.28	57.9	2.13	54.1	1.35	34.3	1.21	30.7	1.81	46.0	.934	23.7	.277	7.0
22	M31 x 1.0-6H	.877	22.3	1.625	41.3	1.500	38.1	2.75	69.9	2.54	64.5	1.63	41.4	1.37	34.8	2.12	53.8	1.068	27.1	.313	8.0
24	M34 x 1.0-6H	.999	25.4	1.750	44.5	1.625	41.3	2.75	69.9	2.54	64.5	1.67	42.4	1.37	34.8	2.16	54.9	1.197	30.4	.349	8.9

Swing-Arm® Clamps

for Series 806 Mil-Aero Connectors

871V004 Swing-Arm Flex Clamp, EMI Banding Adapter, Composite

MATERIAL/FINISH

Coupling nut, body, arms, saddles:
polyetherimide (PEI)/ unplated black
Screws, washers, inserts: stainless steel/
passivated
Anti-decoupling springs: thermoplastic
Banding adapter: aluminum alloy or brass
Band (optional): stainless steel/ passivated
Clinch nuts: stainless steel/ silver plated

BAND INFORMATION

Terminate cable braid to band adapter with optional pre-coiled banding strap. Glenair's Band-Master ATS® banding system provides quick, easy, cost-effective and highly reliable termination. Band is passivated stainless steel.



Shell Size	Pre-Coiled Micro Band Part No.	Pre-Coiled Slim Micro Band Part No.	Length		Max Diameter	
			in	mm	in	mm
8 - 12	601-061	601-601	8.125	206	.88	22.4
14 - 24	601-065	601-603	14.25	362	1.88	47.8