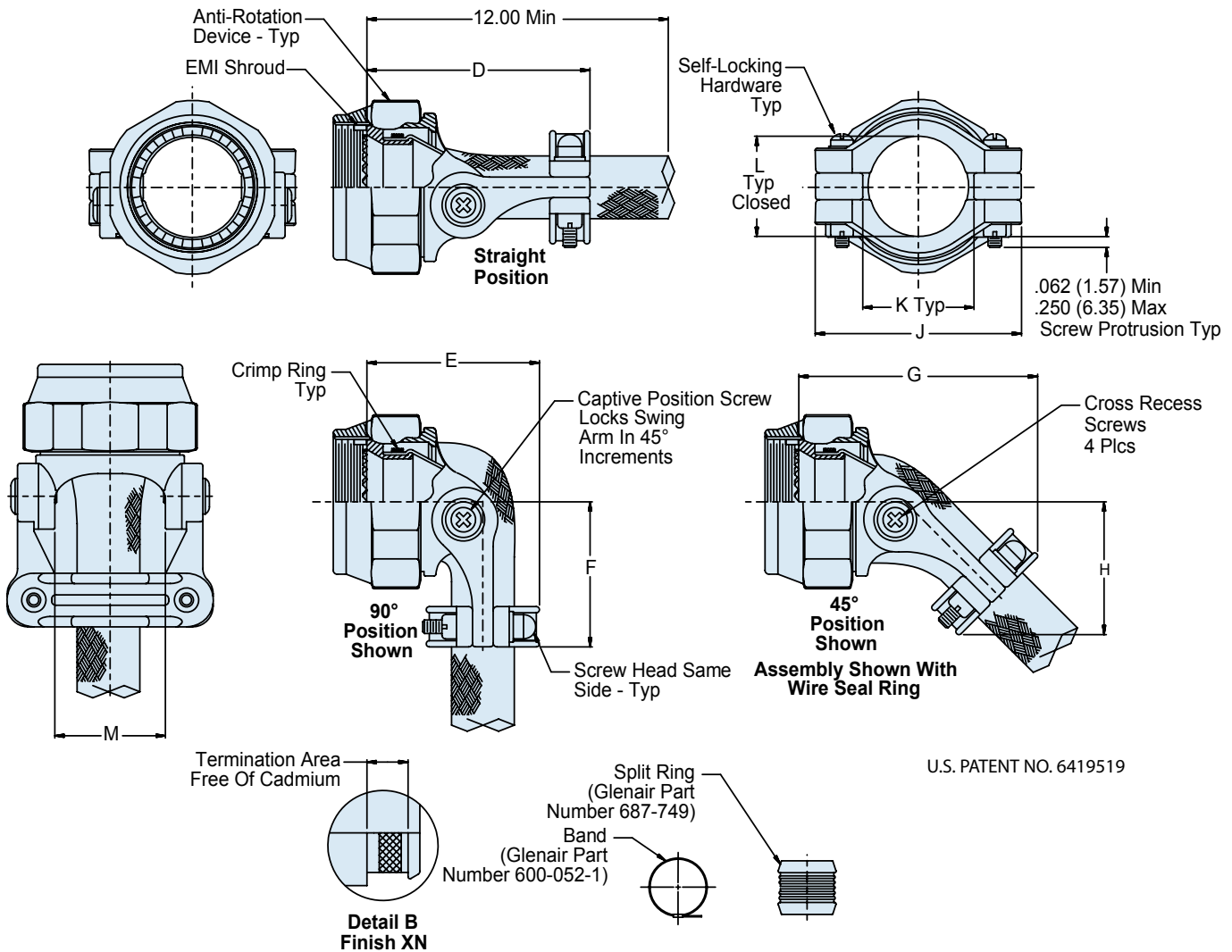
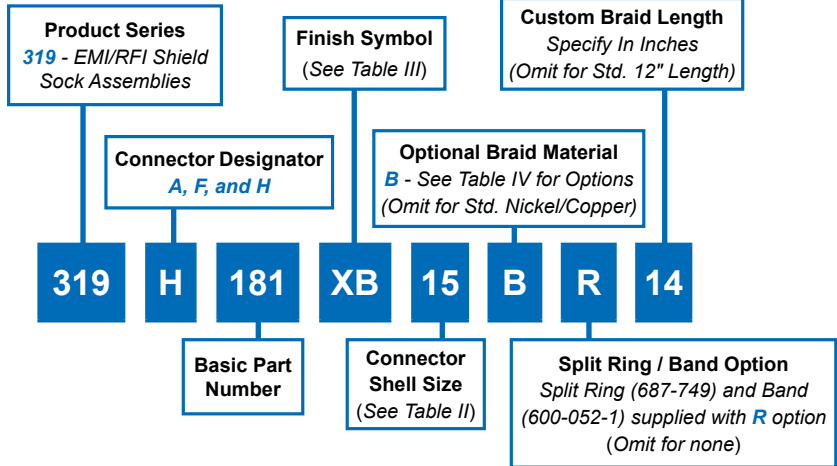


# 319-181 "Wide Mouth" Composite Low-Profile Swing-Arm Strain Relief with Shield Sock and Self-Locking Rotatable Coupling

A

CONNECTOR DESIGNATOR:	
<b>A</b>	MIL-DTL-5015, -26482 Series II, and -83723 Series I and III
<b>F</b>	MIL-DTL-38999 Series I, for Series II See Note 8
<b>H</b>	MIL-DTL-38999 Series III and IV
<b>SELF-LOCKING</b>	
<b>ROTATABLE COUPLING</b>	
<b>LOW PROFILE</b>	



# 319-181 "Wide Mouth" Composite Low-Profile Swing-Arm Strain Relief with Shield Sock and Self-Locking Rotatable Coupling



Composite Backshells

A

**TABLE II: SHELL SIZE (Continued Below)**

Shell Size		D Max	E Max	F ± .03 (0.76)	G Max	H Max	J ± .03 (0.76)	K Min	L Ref	M Wire Bundle Dimension Between Ears Ref
A, F	H									
08	09	1.510 (38.35)	.980 (24.89)	.800 (2.32)	1.460 (37.08)	.780 (19.81)	.936 (23.77)	.350 (8.89)	.310 (7.87)	.393 (9.98)
10	11	1.580 (40.13)	1.050 (26.67)	.900 (22.86)	1.570 (39.88)	.870 (22.10)	1.172 (29.77)	.455 (11.56)	.375 (9.53)	.455 (11.56)
12	13	1.640 (41.66)	1.290 (32.77)	.970 (24.64)	1.760 (44.70)	1.020 (25.91)	1.406 (35.71)	.640 (16.26)	.591 (15.01)	.598 (15.19)
14	15	1.650 (41.91)	1.370 (34.80)	1.030 (25.75)	1.820 (46.23)	1.060 (26.92)	1.500 (38.10)	.710 (18.03)	.661 (16.79)	.710 (18.03)
16	17	1.740 (44.20)	1.440 (36.58)	1.100 (27.50)	1.920 (48.77)	.839 (21.31)	1.562 (39.67)	.839 (21.31)	.713 (18.11)	.839 (21.31)
18	19	1.740 (44.20)	1.540 (39.12)	1.160 (29.46)	2.000 (50.80)	1.160 (29.46)	1.687 (42.85)	.922 (23.42)	.795 (20.19)	.934 (23.72)
20	21	1.890 (48.01)	1.690 (42.93)	1.230 (31.24)	2.180 (55.37)	1.290 (32.77)	1.912 (48.56)	1.068 (27.13)	.996 (25.30)	1.068 (27.13)
22	23	1.920 (48.77)	1.760 (44.70)	1.300 (33.02)	2.250 (57.15)	1.350 (34.29)	2.036 (51.71)	1.197 (30.40)	1.060 (26.92)	1.197 (30.40)
24	25	2.080 (52.83)	1.790 (45.47)	1.490 (37.85)	2.390 (60.71)	1.470 (37.34)	2.281 (57.94)	1.323 (33.60)	1.123 (28.52)	1.323 (33.60)

**TABLE III: FINISH**

Symbol	Finish
<b>XB</b>	Composite Material—No Plating, Color Black, Brass Interface Shroud and Adapter—Nickel Plated
<b>XMT</b>	2000 Hour Corrosion Resistant Ni-PTFE, Nickel-Fluorocarbon Polymer. <i>1000 Hour Grey™</i>
<b>XN</b>	Composite Material—No Plating, Color Black and Brown, Brass Interface Shroud and Adapter—Selectively Cadmium Plated (See Detail B)

**TABLE IV: BRAID TYPE**

Symbol	Braid Type
A	100% AmberStrand®
B	75%/25% AmberStrand® Blend
L	100% ArmorLite™
Standard	Nickel/Copper 34awg
T	Tin/Copper 34awg

## NOTES

- See Table I in Intro for front-end dimensional details.
- Metric dimensions (mm) are in parentheses.
- See composite thermoplastic shield sock assembly procedure for detailed installation instructions.
- Coupling nut supplied unplated.
- Glenair Series 600 Assembly Tools are recommended for installation.
- Swing arm locks in 45° increments, shell size 09 through 25. Additional positioning increments are manufacturer's option.
- Screw is captive to the body when disengaged. When tightened, the screw will not protrude into the surface.
- Clamps accommodate MIL-DTL-38999, Series I, II, III and IV connectors, interface IAW AS85049, Figure 3. Add mod code -475 to end of part number for use with Series II connectors. Backshell to be supplied less shroud.
- Material/Finish:  
 Clamp body, coupling nut, saddles - High grade engineering thermoplastic/See Table III.  
 Clamp hardware - CRES/Passivate  
 Adapter (EMI/RFI) - Brass/Table III.  
 Anti-rotation device - Corrosion resistant material.  
 Shield - Copper/Nickel plate.  
 Interface ring and shroud - Table III.  
 Crimp ring - Copper/Tin plated.