

380-131 Composite Knit-Braid Style EMI/RFI Shield Termination Backshell with Strain-Relief Clamp and Rotatable Coupling



Composite Backshells

A

CONNECTOR DESIGNATOR:	
A	MIL-DTL-5015, -26482 Series II, and -83723 Series I and III
F	MIL-DTL-38999 Series I, II
L	MIL-DTL-38999 Series 1.5 (JN1003)
H	MIL-DTL-38999 Series III and IV
ROTATABLE COUPLING	

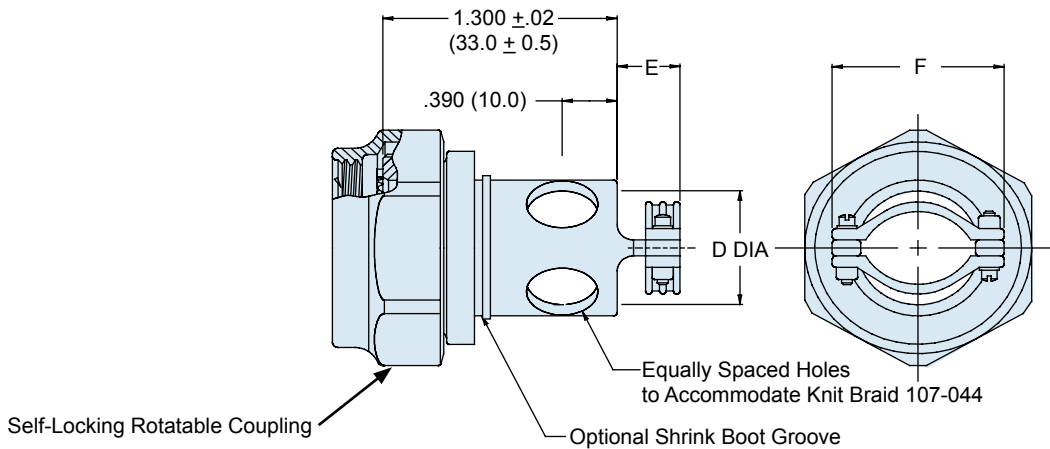
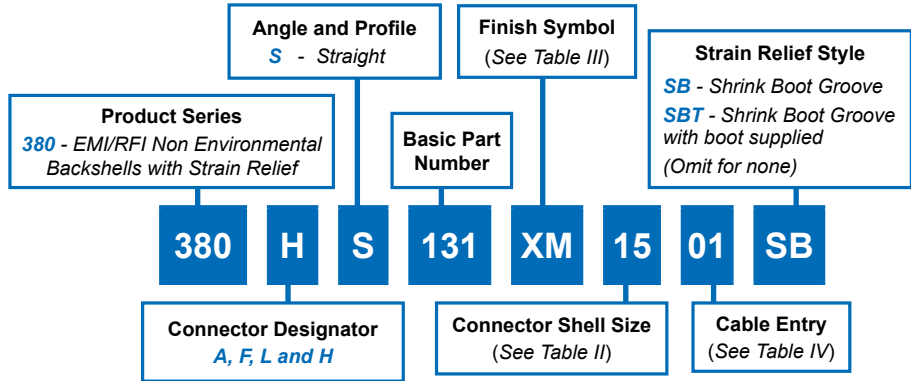


TABLE II: SHELL SIZE			
Shell Size	Max Entry Code**	Shell Size	Max Entry Code**
A		F/L H	
08	00	08 09	01
10	01	10 11	02
12	02	12 13	03
14	03	14 15	04
16	04	16 17	05
18	05	18 19	06
20	06	20 21	07
22	07	22 23	08
24	08	24 25	09

TABLE IV: CABLE ENTRY					
Entry Code**	D ±.010 (0.25)	E ±.020 (0.50)	F ±.060 (1.5)	Number of Holes	
00	.268 (6.8)	.512 (13.0)	.880 (22.4)	2*	
01	.354 (9.0)	.512 (13.0)	.940 (23.9)	2**	
02	.472 (12.0)	.512 (13.0)	1.170 (29.7)	2**	
03	.591 (15.0)	.630 (16.0)	1.280 (32.5)	2*	
04	.709 (18.0)	.630 (16.0)	1.410 (35.8)	2*	
05	.837 (21.3)	.630 (16.0)	1.500 (38.1)	2*	
06	.945 (24.0)	.630 (16.0)	1.560 (39.6)	2*	
07	1.063 (27.0)	.630 (16.0)	1.690 (42.9)	4*	
08	1.191 (30.3)	.630 (16.0)	1.820 (46.2)	4*	
09	1.319 (33.5)	.630 (16.0)	1.910 (48.5)	4*	

*Oval Holes, .256 (6.5) x .512 (13.0) **Oval Holes, .315 (8.0) x .512 (13.0)
*Circular Holes, .512 (13.0) Diameter.

- ### APPLICATION NOTES
1. Coupling nut and saddle bars supplied unplated.
 2. Metric dimensions (mm) are in parentheses and are for reference only.
 3. Consult factory for additional entry sizes available.
 4. For angled part requirements, use in conjunction with Glenair 327-060 Extenders.
 5. See Table I in Intro for additional connector front-end dimensions.

TABLE III: FINISH	
Symbol	Finish Description
XM	2000 Hour Corrosion Resistant Electroless Nickel
XMT	2000 Hour Corrosion Resistant Ni-PTFE, Nickel-Fluorocarbon Polymer. <i>1000 Hour Grey™</i>
XW	2000 Hour Corrosion Resistant Cadmium/Olive Drab over Electroless Nickel