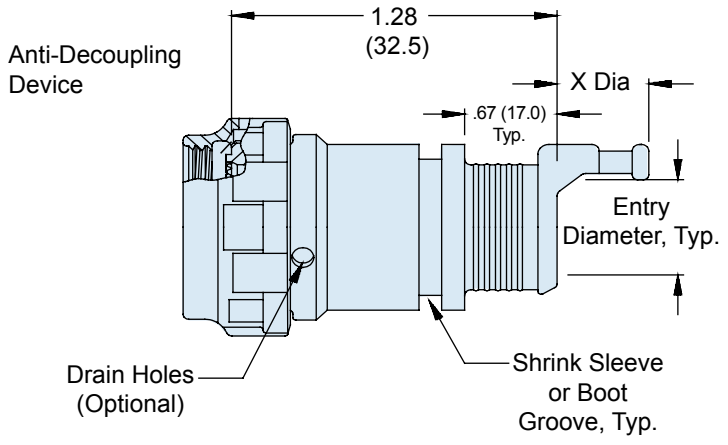
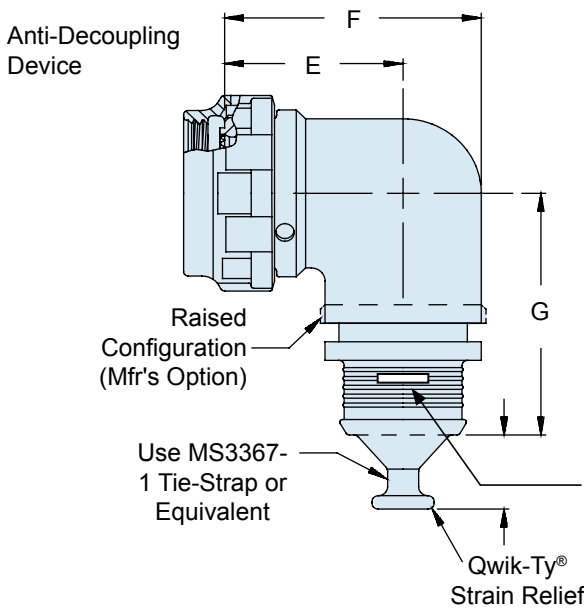
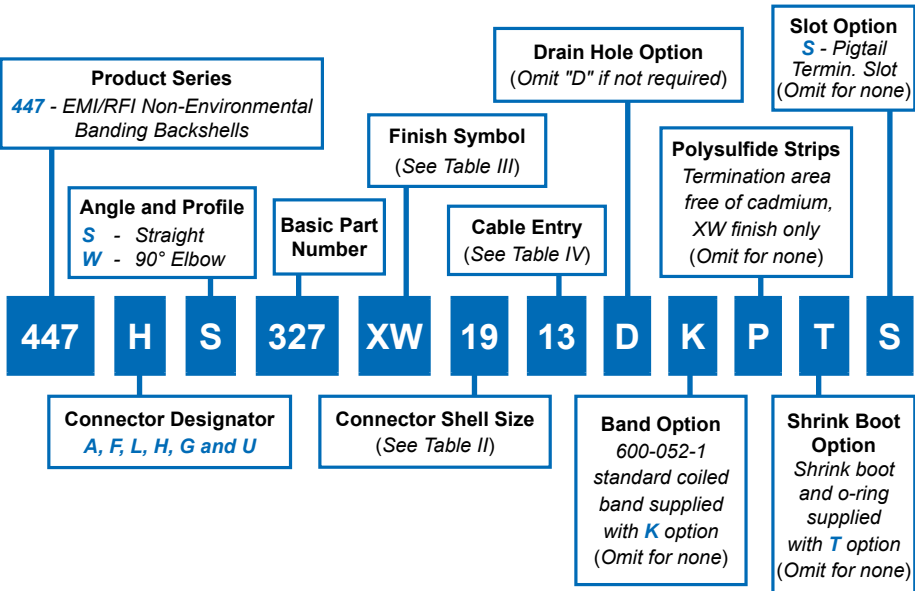




# 447-327 Composite Standard Profile EMI/RFI Banding Backshell with Qwik-Ty® Strain Relief and Self-Locking Rotatable Coupling

**A**

CONNECTOR DESIGNATOR:	
<b>A</b>	MIL-DTL-5015, -26482 Series II, and -83723 Series I and III
<b>F</b>	MIL-DTL-38999 Series I, II
<b>L</b>	MIL-DTL-38999 Series 1.5 (JN1003)
<b>H</b>	MIL-DTL-38999 Series III and IV
<b>G</b>	MIL-DTL-28840
<b>U</b>	DG123 and DG123A
<b>SELF-LOCKING</b>	
<b>ROTATABLE COUPLING</b>	
<b>STANDARD PROFILE</b>	



**447-327**  
**Composite Standard Profile EMI/RFI**  
**Banding Backshell with Qwik-Ty® Strain Relief**  
**and Self-Locking Rotatable Coupling**



**TABLE II: CONNECTOR SHELL SIZE**

Shell Size For												
Connector Designator*					E		F		G		Max Entry	
A	F/L	H	G	U	±.06	(1.5)	±.09	(2.3)	±.09	(2.3)	Dash No**	
08	08	09	—	—	.69	(17.5)	.88	(22.4)	1.36	(34.5)	04	
10	10	11	—	08	.75	(19.1)	1.00	(25.4)	1.42	(36.1)	05	
12	12	13	11	10	.81	(20.6)	1.13	(28.7)	1.48	(37.6)	07	
14	14	15	13	12	.88	(22.4)	1.31	(33.3)	1.55	(39.4)	09	
16	16	17	15	14	.94	(23.9)	1.38	(35.1)	1.61	(40.9)	11	
18	18	19	17	16	.97	(24.6)	1.44	(36.6)	1.64	(41.7)	13	
20	20	21	19	18	1.06	(26.9)	1.63	(41.4)	1.73	(43.9)	15	
22	22	23	—	20	1.13	(28.7)	1.75	(44.5)	1.80	(45.7)	17	
24	24	25	23	22	1.19	(30.2)	1.88	(47.8)	1.86	(47.2)	20	

\*\*Consult factory for additional entry sizes available.

**TABLE III: FINISH**

Symbol	Finish Description
XM	2000 Hour Corrosion Resistant Electroless Nickel
XMT	2000 Hour Corrosion Resistant Ni-PTFE, Nickel-Fluorocarbon Polymer. <i>1000 Hour Grey™</i>
XW	2000 Hour Corrosion Resistant Cadmium/Olive Drab over Electroless Nickel

**TABLE IV: CABLE ENTRY**

Entry Code	Entry Dia. ±.03 (0.8)	X Dia. ±.03 (0.8)
04	.250 (6.4)	.510 (13.0)
05	.310 (7.9)	.510 (13.0)
07	.440 (11.2)	.510 (13.0)
09	.560 (14.2)	.630 (16.0)
11	.680 (17.3)	.630 (16.0)
13	.810 (20.6)	.630 (16.0)
15	.940 (23.9)	.630 (16.0)
16	1.000 (25.4)	.630 (16.0)
17	1.160 (29.5)	.630 (16.0)
20	1.250 (31.8)	.630 (16.0)

**NOTES**

1. 770-001S\*\*-0 shrink boot supplied with T option. See shrink boot product page for more details.
2. O-Ring will not be supplied with Connector Designator A.
3. Consult factory for O-ring to be supplied with part less shrink boot.
4. Metric dimensions (mm) are in parenthesis and are for reference only.
5. Coupling nut supplied unplated.
6. See Table I in Intro for front-end dimensional details.