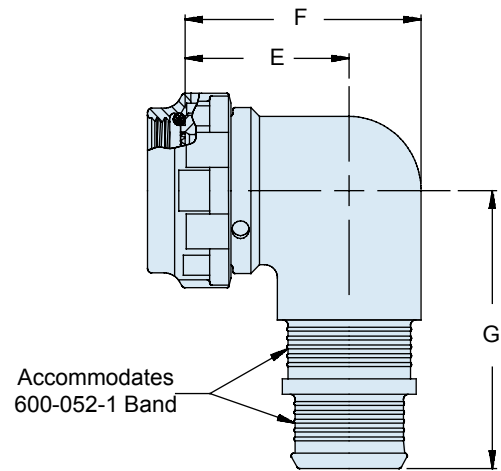
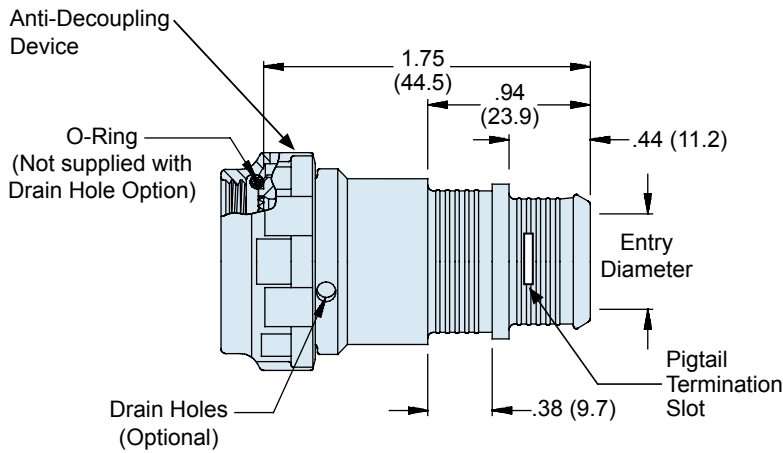
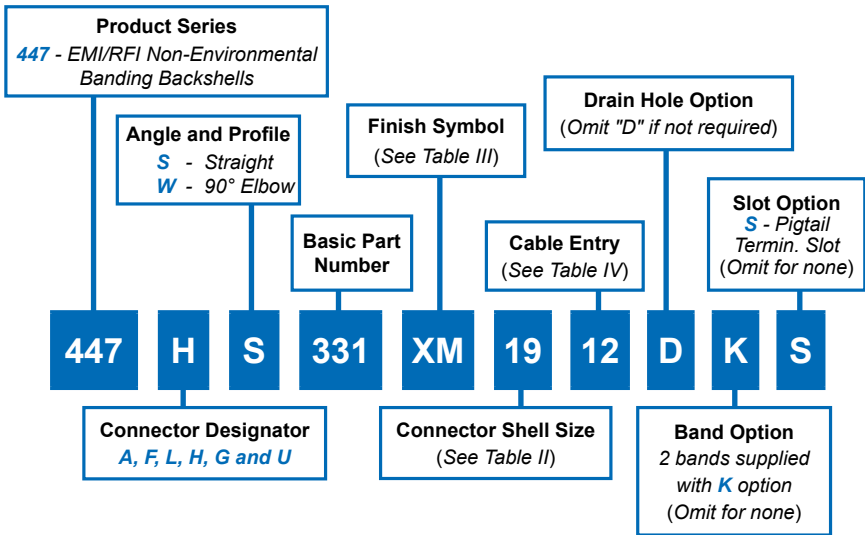


447-331 Composite EMI/RFI Dual-Banding Backshell with Self-Locking Rotatable Coupling

A

CONNECTOR DESIGNATOR:	
A	MIL-DTL-5015, -26482 Series II, and -83723 Series I and III
F	MIL-DTL-38999 Series I, II
L	MIL-DTL-38999 Series 1.5 (JN1003)
H	MIL-DTL-38999 Series III and IV
G	MIL-DTL-28840
U	DG123 and DG123A
SELF-LOCKING	
ROTATABLE COUPLING	
STANDARD PROFILE	



NOTES

1. Metric dimensions (mm) are in parenthesis and are for reference only.
2. Coupling nut supplied unplated.
3. See Table I in Intro for front-end dimensional details.

447-331
Composite EMI/RFI Dual-Banding Backshell
with Self-Locking Rotatable Coupling



TABLE II: CONNECTOR SHELL SIZE

Shell Size For Connector Designator*					E	F	G	Max Entry
A	F/L	H	G	U	±.06 (1.5)	±.09 (2.3)	±.09 (2.3)	Dash No.**
08	08	09	-	-	.69 (17.5)	.88 (22.4)	1.69 (42.9)	04
10	10	11	-	08	.75 (19.1)	1.00 (25.4)	1.75 (44.5)	06
12	12	13	11	10	.81 (20.6)	1.13 (28.7)	1.81 (46.0)	08
14	14	15	13	12	.88 (22.4)	1.31 (33.3)	1.88 (47.8)	10
16	16	17	15	14	.94 (23.9)	1.38 (35.1)	1.94 (49.3)	12
18	18	19	17	16	.97 (24.6)	1.44 (36.6)	1.97 (50.0)	13
20	20	21	19	18	1.06 (26.9)	1.63 (41.4)	2.06 (52.3)	15
22	22	23	-	20	1.13 (28.7)	1.75 (44.5)	2.13 (54.1)	17
24	24	25	23	22	1.19 (30.2)	1.88 (47.8)	2.19 (55.6)	19
28	-	-	25	24	1.34 (34.0)	2.13 (54.1)	2.28 (57.9)	22

**Consult factory for additional entry sizes available.

TABLE III: FINISH

Symbol	Finish Description
XM	2000 Hour Corrosion Resistant Electroless Nickel
XMT	2000 Hour Corrosion Resistant Ni-PTFE, Nickel-Fluorocarbon Polymer. 1000 Hour Grey™
XW	2000 Hour Corrosion Resistant Cadmium/Olive Drab over Electroless Nickel

TABLE IV: CABLE ENTRY

Entry Code	Entry Dia. ±.03 (0.8)	Dash No.	Entry Dia. ±.03 (0.8)
03	.19 (4.8)	13	.81 (20.6)
04	.25 (6.4)	14	.88 (22.4)
05	.31 (7.9)	15	.94 (23.9)
06	.38 (9.7)	16	1.00 (25.4)
07	.44 (11.2)	17	1.06 (26.9)
08	.50 (12.7)	18	1.13 (28.7)
09	.56 (14.2)	19	1.19 (30.2)
10	.63 (16.0)	20	1.25 (31.8)
11	.69 (17.5)	22	1.38 (35.1)
12	.75 (19.1)		