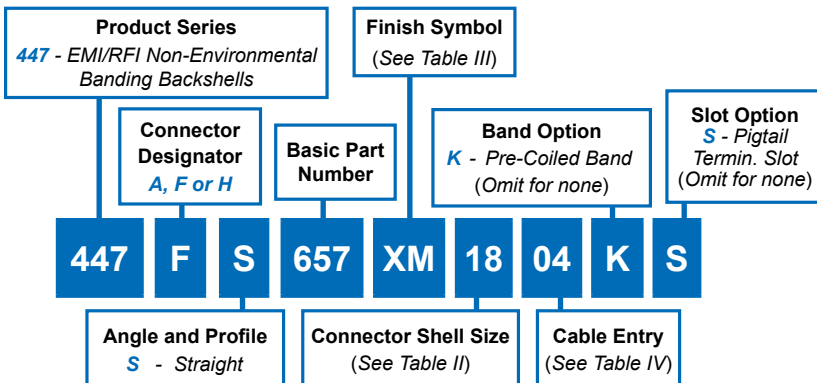


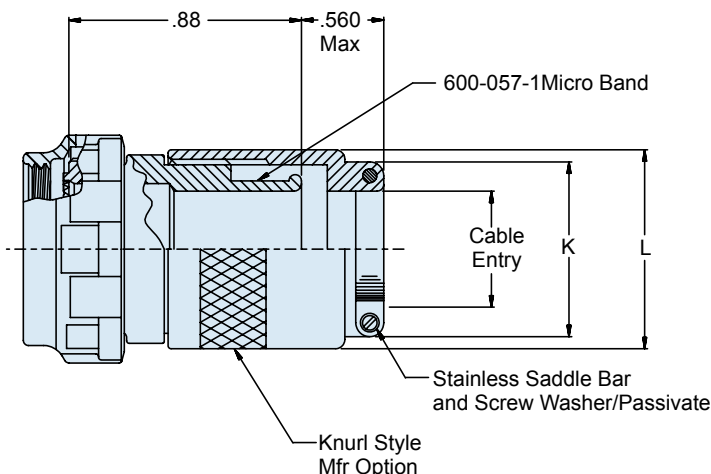
A

CONNECTOR DESIGNATOR:	
A	MIL-DTL-5015, -26482 Series II, and -83723 Series I and III
F	MIL-DTL-38999 Series I, II
H	MIL-DTL-38999 Series III and IV
ROTATABLE COUPLING	
STANDARD PROFILE	



- NOTES**
- Metric dimensions (mm) are in parenthesis and are for reference only.
 - See Table I in Intro for front-end dimensional details.

For angled part requirements, use in conjunction with Glenair 327-060 Extenders



Shell Size			Max Dash Number (Table II)	
A	F	H	A	F, H
08	08	09	01	01
10	10	11	01	02
12	12	13	04	04
14	14	15	04	05
16	16	17	05	06
18	18	19	06	06
20	20	21	07	07
22	22	23	08	08
24	24	25	09	09
28	-	-	10	10
32	-	-	10	10
36	-	-	10	10
40	-	-	10	10

Symbol	Finish Description
XM	2000 Hour Corrosion Resistant Electroless Nickel
XMT	2000 Hour Corrosion Resistant Ni-PTFE, Nickel-Fluorocarbon Polymer. 1000 Hour Grey™
XW	2000 Hour Corrosion Resistant Cadmium/Olive Drab over Electroless Nickel

Dash Number	K Max	L Max	Cable Entry	
			Min	Max
01	.843 (21.4)	.78 (19.8)	.125 (3.2)	.250 (6.4)
02	.968 (24.6)	.97 (24.6)	.156 (4.0)	.375 (9.5)
03	1.046 (26.6)	1.05 (26.7)	.250 (6.4)	.438 (11.1)
04	1.156 (29.4)	1.15 (29.2)	.280 (7.1)	.500 (12.7)
05	1.218 (30.9)	1.22 (31.0)	.375 (9.5)	.625 (15.9)
06	1.343 (34.1)	1.34 (34.0)	.500 (12.7)	.750 (19.1)
07	1.468 (37.3)	1.47 (37.3)	.625 (15.9)	.875 (22.2)
08	1.593 (40.5)	1.59 (40.4)	.750 (19.1)	1.000 (25.4)
09	1.718 (43.6)	1.72 (43.7)	.875 (22.2)	1.125 (28.6)
10	1.843 (46.8)	1.84 (46.7)	1.000 (25.4)	1.250 (31.8)