



770-001
Straight and 90° Shrink Boot
Heat Shrink Molded Part

A

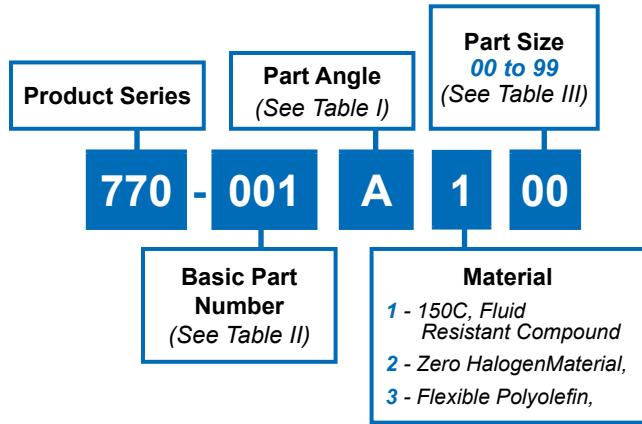


TABLE I: ANGULAR FUNCTION

Symbol	Angle
A	90°
S	Straight

TABLE II: BASIC PART NUMBER

Basic No.	Description of part
001	Lipped Boot with Eyelet

**TABLE III:
STRAIGHT, LIPPED BOOT WITH EYELET**

770-001 Size	Ae Min	Ar Max	Ce Min	Cr Max	P0 ± 10%
03	.94 (24)	.41 (10.5)	.94 (24)	.20 (5.0)	1.49 (38.0)
04	1.18 (30)	.55 (14)	1.18 (30)	.24 (6)	2.16 (55.0)
05	1.26 (32)	.71 (18)	1.26 (32)	.28 (7)	2.64 (67.0)
06	1.42 (36)	.87 (22)	1.42 (36)	.33 (8.5)	3.15 (80.0)
07	1.69 (43)	1.10 (28)	1.69 (43)	.39 (10)	3.90 (99.0)
08	2.36 (60)	1.37 (35)	2.36 (60)	.59 (15)	5.12 (130)

770-001
Straight and 90° Shrink Boot
Heat Shrink Molded Part



Composite Backshells

A

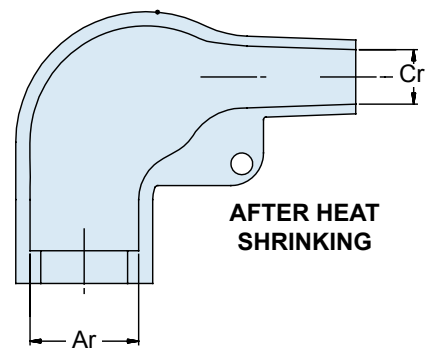
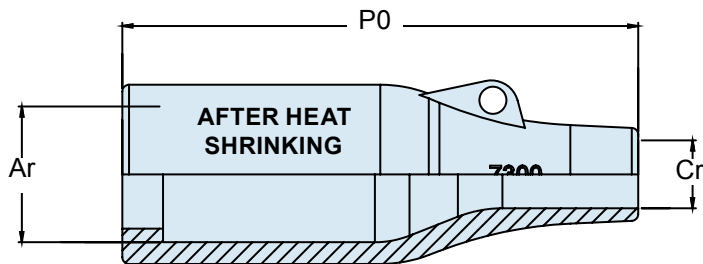
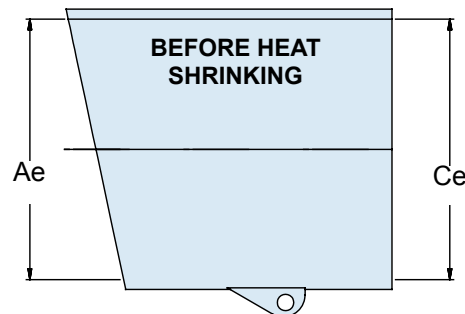
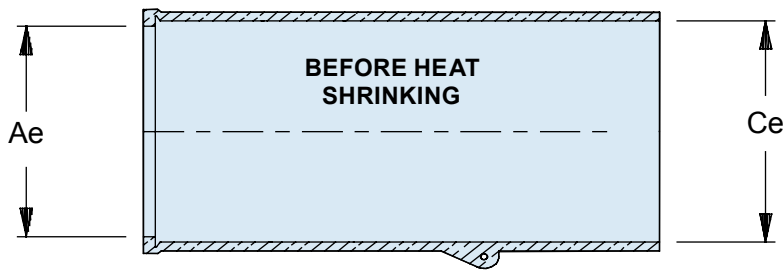


TABLE III: 90°, LIPPED BOOT WITH EYELET

770-001A Size	Ae Min Type 1 Mat	Ar Max Type 1 Mat	Ce Min Type 1 Mat	Cr Max Type 1 Mat
03	.94 (24)	.393 (10.0)	.94 (24)	.196 (5.0)
04	1.18 (30)	.53 (13.5)	1.18 (30)	.217 (5.5)
05	1.26 (32)	.71 (18)	1.26 (32)	.28 (7)
06	1.42 (36)	.89 (22.5)	1.42 (36)	.33 (8.5)
07	1.69 (43)	1.10 (28)	1.69 (43)	.39 (10)
08	2.36 (60)	1.37 (35)	2.36 (60)	.59 (15)

- Standard Material Fluid Resistant Cross-Linked Elastomer per VG95343 Part 6
- Low Toxicity Material Fluid Resistant Cross-Linked Elastomer per NAVSEA 5617649

APPLICATION NOTES

1. When the minimum number of conductors are used, wire bundle/cable may require build-up to Cr² max.
2. Sizes 00 to 02 do not contain eyelet.
3. Refer to GAP-070 for shrink boot installation guide on composite shells.