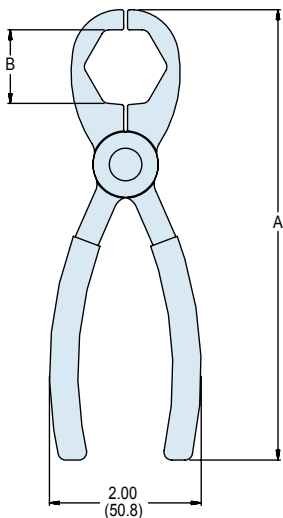
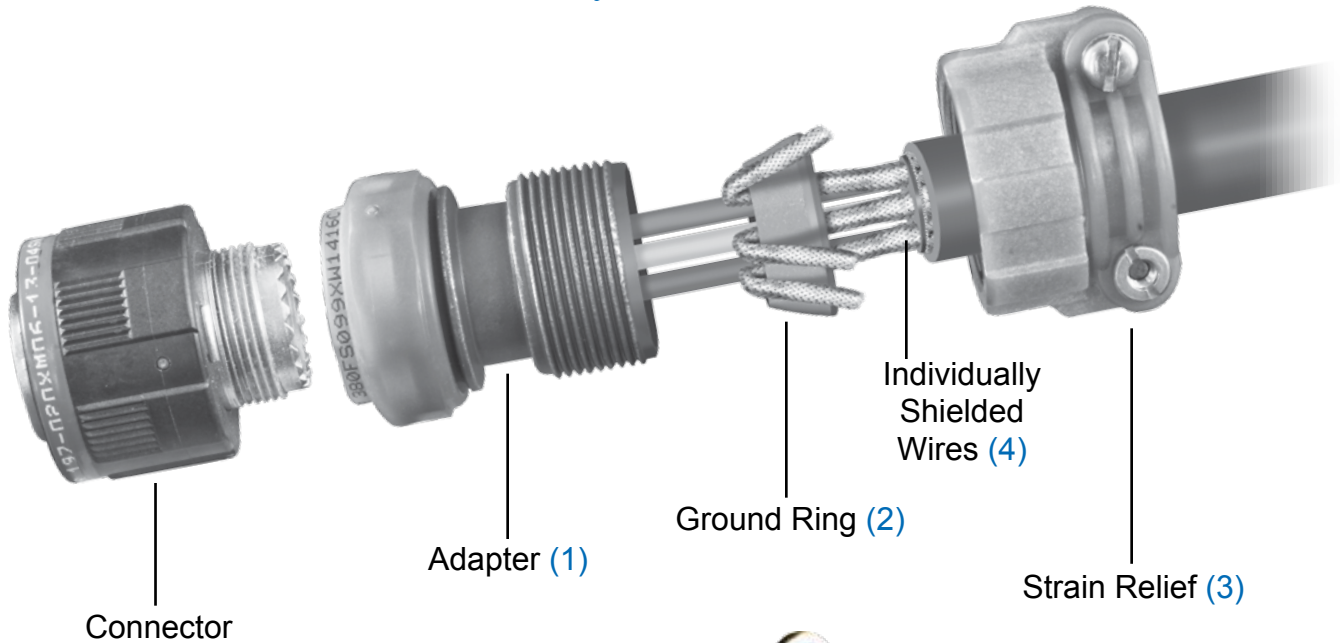




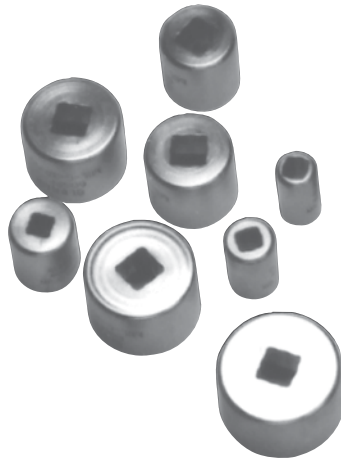
Series 380 EMI/RFI Non-Environmental Backshell Assembly Instructions

Series 380 EMI/RFI Non-Environmental (Type D) Assembly Instructions

A



(5) 600-157 Stainless Steel Composite Hex Coupling Wrench



(6) Plug and Receptacle Holding Tools for 1/4" and 3/8" Socket



(7) 600-161 Hand Held Digital Torque Wrench

COMPOSITE COUPLING TORQUE VALUES	
Shell Size Reference	Composite Torque (Inch-Pounds)
08/09	35
10/11	35
12/13	40
14/15	40
16/17	40
18/19	40
20/21	80
22/23	80
24/25	80
28	120
32	120
36	120

The following suggested procedure serves as a guide for the proper assembly and installation of Glenair Series 380 EMI/RFI Non-Environmental Backshells (Type D individual wire shield termination). It is recommended that trial samples of appropriate cables or harnesses be used to determine proper trim dimensions of the outer shield and individual conductors.

**NOTE: As with any electrical connector assembly procedure, be sure to use the proper tools. For convenient, reliable assembly of the connector and backshell, it is suggested that Glenair's connector holding tools, strap wrenches and connector pliers be used.**

1. Temporarily assemble backshell (1) to connector.
2. Remove strain relief clamp (3) from adapter (1) and stage it, along with the ground ring (2) in the sequence pictured, up the cable for installation after wires are terminated to the connector contacts.
3. Insert cable into adapter (1), and bottom against connector. Hold cable in position and mark outer shield at rear end of adapter (1).
4. Remove adapter (1) from connector and place on cable with items in step two above.
5. Trim cable jacket at a point 3/4 inch toward connector from mark made in step three above, exposing individual conductors.
6. Trim outer shield at mark made in step three above (this procedure is for termination of individually shielded conductors only).
7. Extract shield pigtail from individual conductors. Fold back and tape or tie pigtails flat against the wire bundle.
8. Prepare and terminate contacts to individual conductors in accordance with established practices. (Crimp or solder in place)
9. Slide adapter (1) forward to connector, and tighten securely using appropriate tools.
10. Move the tapered ground ring forward near the rear of the adapter. Untie individual pigtails, and flare back over ground ring as to evenly disperse pigtails around the circumference of the ring. Tie or tape pigtails back to bundle allowing for approx. 1/2 inch of slack.
11. Push ground ring forward and into the tapered counter-bore at the rear of the backshell adapter (1).
12. Thread strain relief clamp (3) onto the adapter (1) and tighten securely.
13. Tighten strain relief saddle bar clamps until they bottom against saddle ears (see saddle clamp assembly procedure). This will provide good shielding and bonding to the adapter shell. (This same procedure can also be utilized for overall shield).